



Bianco White [honed]



Ming Green [honed]



Indian Carrara [honed]

Estate Bathtub 68"

Carved out of a solid block of marble.

- \$24,000 Bianco White [honed] UA0001-68-E BT
- \$30,000 Ming Green [honed] UA0001-68-M BT
drilled center/side
- \$20,000 Indian Carrara [honed] UA0001-68-I BT

Notes: Specify position of drain and overflow
 UA0001-68S BT Side
 UA0001-68E BT End
 UA0001-68C BT Center



1,150 lbs [empty]
 1,600 lbs [full]

Capacity: 55 gallons

Load: 150 lbs/sf

Notes:



Estate bathtubs are not returnable



UPC certification
 PS-99 compliant

Drain and overflow sold separately.

Please note that the drain line will need to run below the surface of the floor. The bottom of the tub is solid.

Marble color and veining will vary.

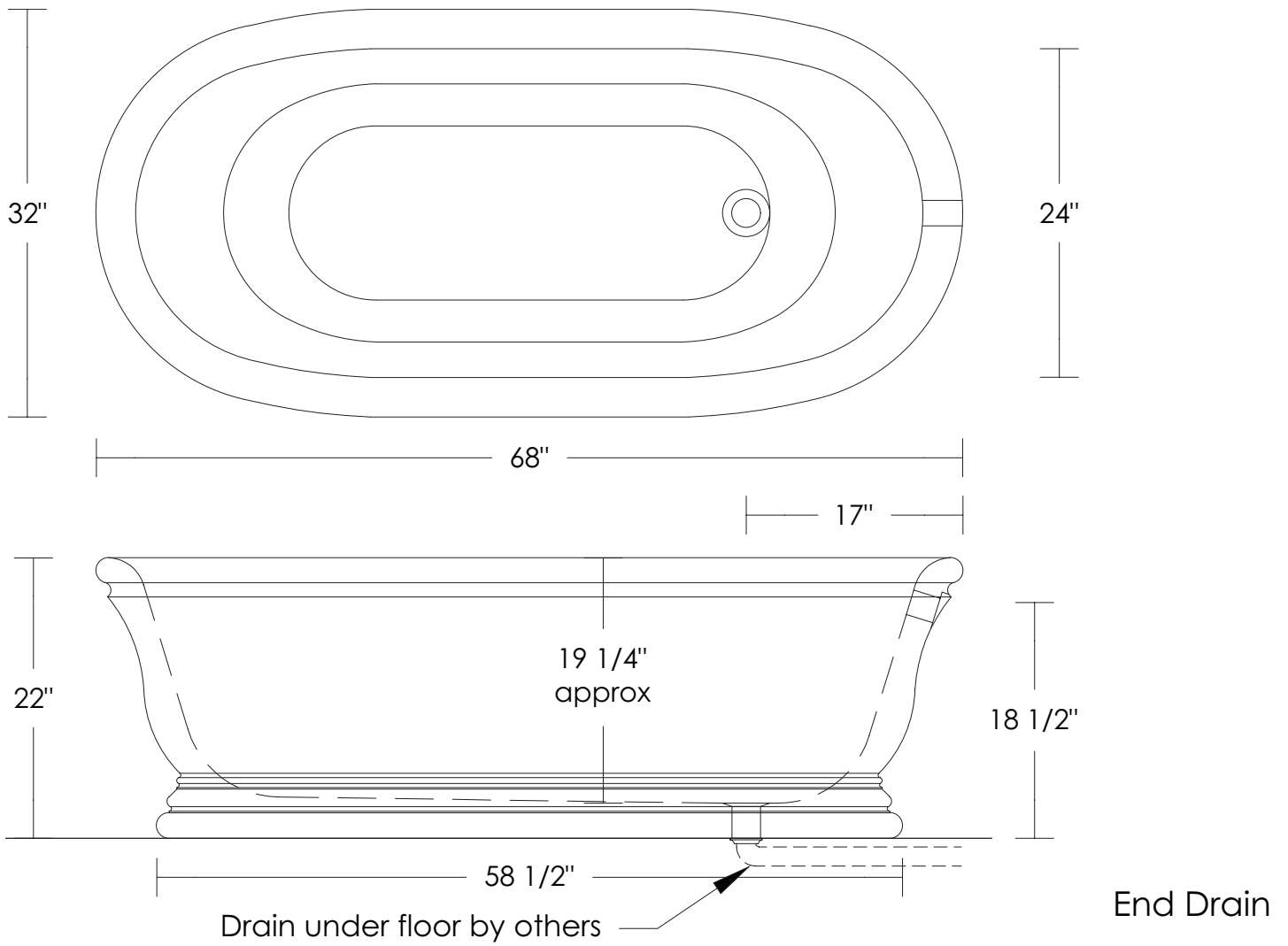
Inquire for pricing for other stones.

An individual will displace approx. 20-25 gallons of water, and will likely weigh less than the water displaced (175-210lbs). There is no need to take the weight of the user into consideration.

All tubs are hand-made and carved out of a solid block. Some may hold less water than others, these numbers are estimated on the high side, and are not likely to be exceeded.

Attention:

Our marble tubs and washstand tops are not sealed. If you want to seal them, test an area that is not very visible to see how the sealer affects the stone.





Estate Tub
Solid marble hand-carved carrara honed

Custom Yale Club Towel Bar

Wall Tile:
6" x 6" Hand Painted Stripes – V70
3" x 6" Festoon Silk Screen – V70
3" x 6" White Clay Body Alabaster – V70