

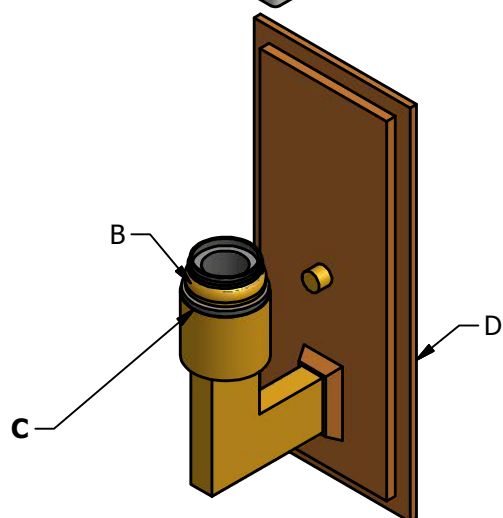
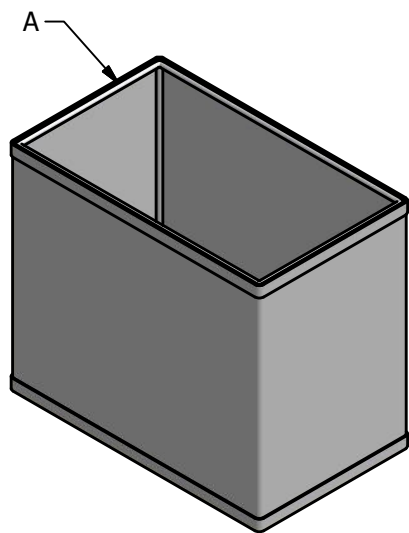
# Urban Archaeology

## Shades washer type Instructions

### Important Safety Instructions

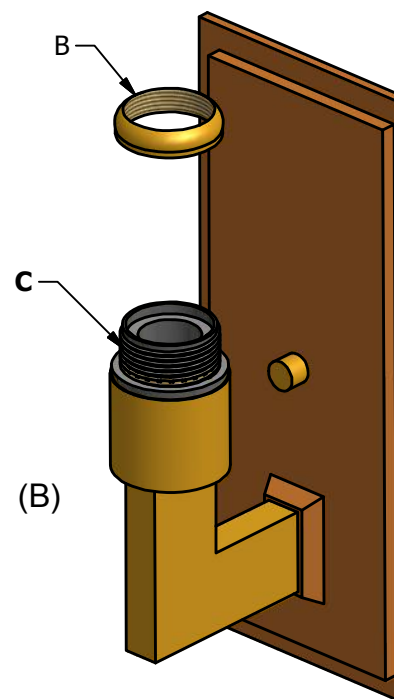
Read all instructions and save for the future.

Do not use attachments not recommended by the manufacturer.  
Do not use outdoors.  
No user-serviceable parts inside.

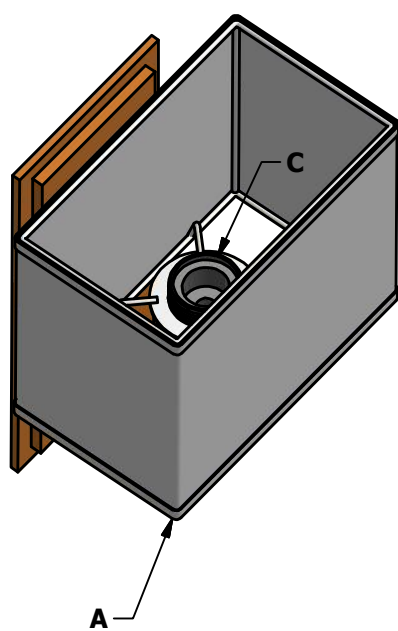


### Parts

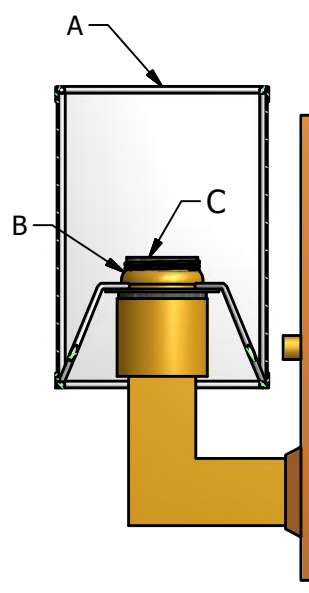
- A. Shade
- B. Socket thread ring
- C. Socket
- D. Back Plate



1. Unscrew the socket thread ring (B) from the socket (C).



2. Slide the Shade (A) over the socket (C).



4. Screw the socket thread ring (B) back onto the socket (C) to secure the shade.

urban ARCHAEOLOGY

© 2016 Urban Archaeology [www.urbanarchaeology.com](http://www.urbanarchaeology.com)

Shade Sconce instructions

Scale: 1 : 2

11.30.16

pg 1

UA02