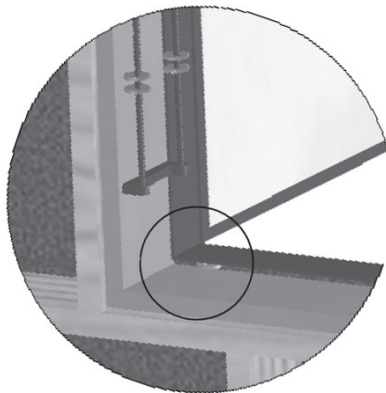


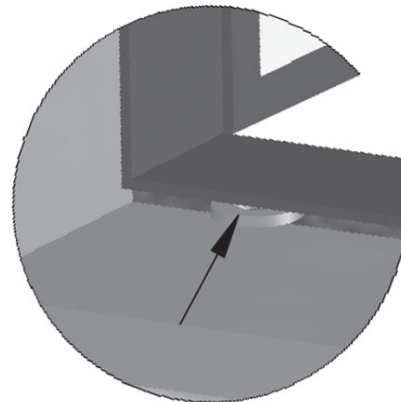
Lenox Cabinet Large — Installing Cabinet Frame

Lenox Medicine Cabinet
Installing Cabinet Frame
(This step requires 2 people)

1. Insert Lenox frame into Marble Box.
2. Check alignment of cabinet frame. Ensure door opens & closes and ball-catch actuates. Ball-catch tension will be adjusted later. If necessary, shim the frame inside using metal washer between the frame & Marble Box.

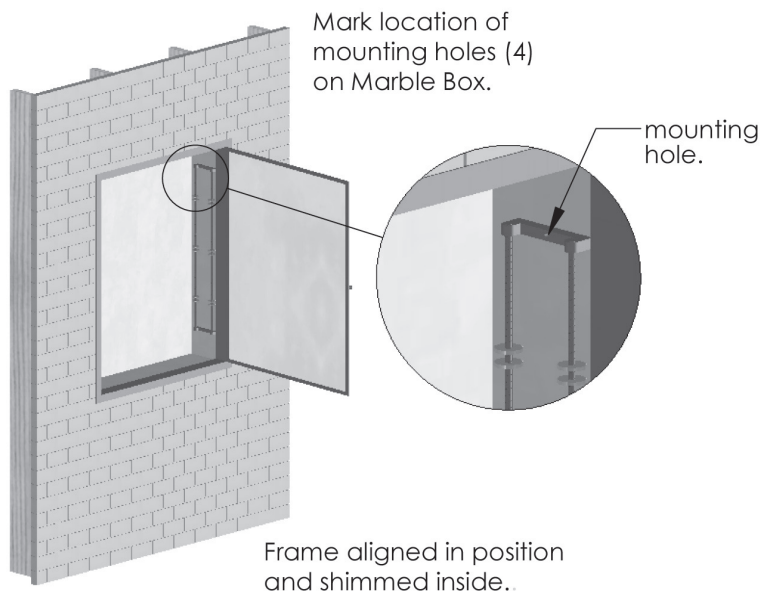


Rear cutaway view.

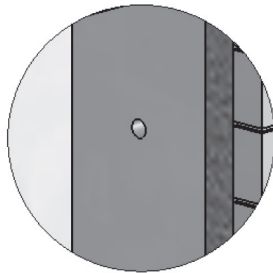


Washer leveling frame.
Inside rear view of frame.

3. Mark location of mounting holes on shelf brackets onto inside of Marble Box.

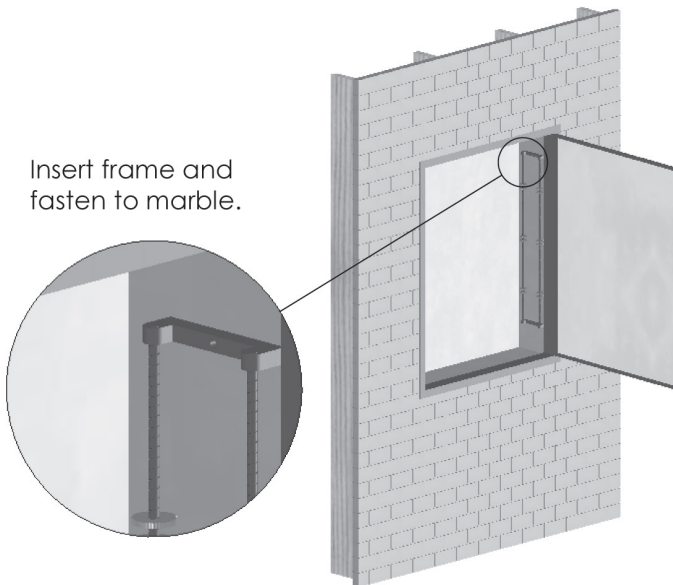


4. Remove Lenox frame with attached shelf bracket. Drill 4 holes through sides of Marble Box into studs. Be sure Step 2 has been completed before drilling holes.



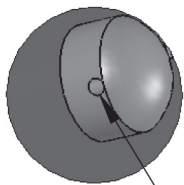
Hole drilled through side of Marble Box through stud. 4 holes total.

5. Insert Lenox frame and fasten shelf brackets to Marble Box. Check operation of door and ball-catch.



Insert frame and fasten to marble.

6. Adjust ball-catch pressure if necessary.



Check operation of door. Position paperclip in hole of ball-catch. Rotate the paperclip to adjust pressure of catch.

