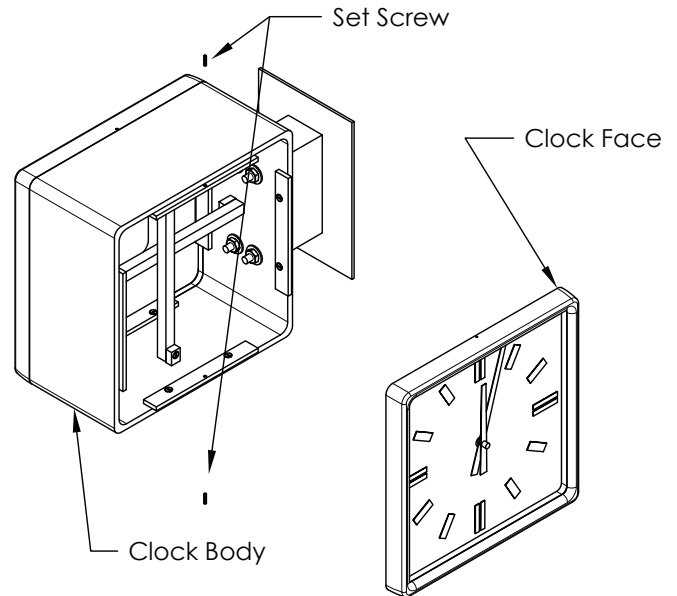
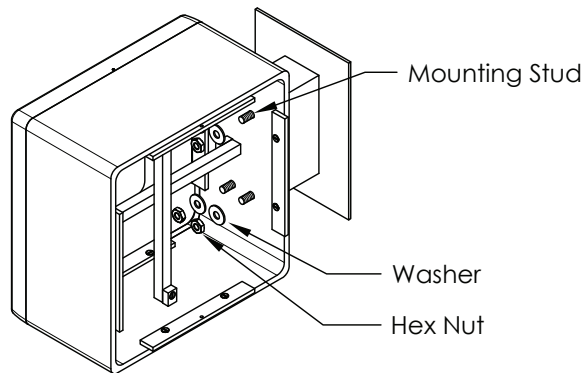


Commerce Twin Faced Clock UA5038 M
[hard wired and battery operated clock]

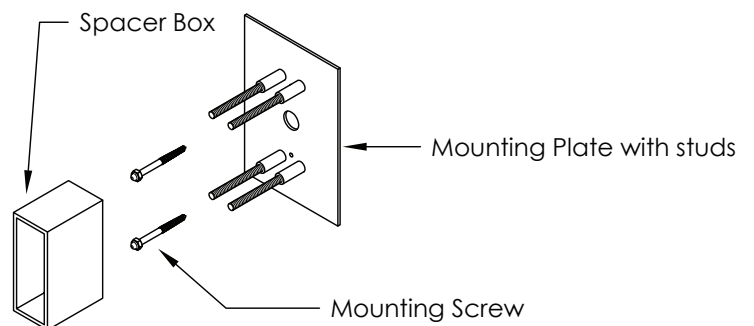
1. Remove the set screws holding the clock face to the clock body. Use the Allen Key provided.
2. Pull the Clock Face away from the body. (It may be possible to install the clock only removing one face for access.)



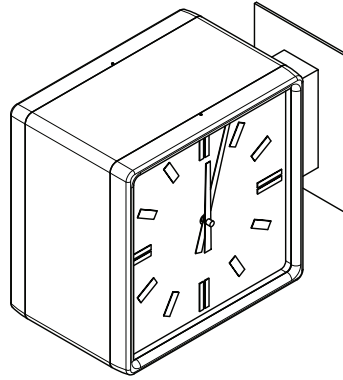
3. Unscrew the hex nuts and washers from the mounting studs inside the clock body and remove the clock body.



4. Remove the spacer box from the mounting plate assembly.
5. Attach the mounting plate assembly to the wall / ceiling with the mounting screws provided. If this installation is hard-wired, then the mounting plate should be attached to a junction box after circuit wires are run through the center hole. Make sure power is off to the circuit before mounting and wiring.
6. Reattach the spacer box, matching the colored dots / match marks to insure proper fit.



7. Attach the clock body to the mounting studs, matching the colored dots / match marks to insure proper fit. Attach the hex nuts and washers to the mounting studs and tighten.
8. Reinstall the clock face and set screws making sure to set the correct time on both clock faces.
9. The protective masking may be removed before or after installation.



Assembled Clock