



Satin Stainless Steel with exposed fasteners

**Mercer Bathtub
[Solid Stainless Steel Skirt]**

UA0008-68 BT

Options: Specify with or without Rivets. Same price.

\$26,500 Polished Stainless Steel

Call for Satin Stainless Steel* pricing

***** Custom finishes not returnable

Note: Our metals are living finishes; they will change over time and will never rust

Notes: Stainless Steel will not rust

Skirts, bands and fasteners can be made in contrasting finishes. Please ask your sales associate.

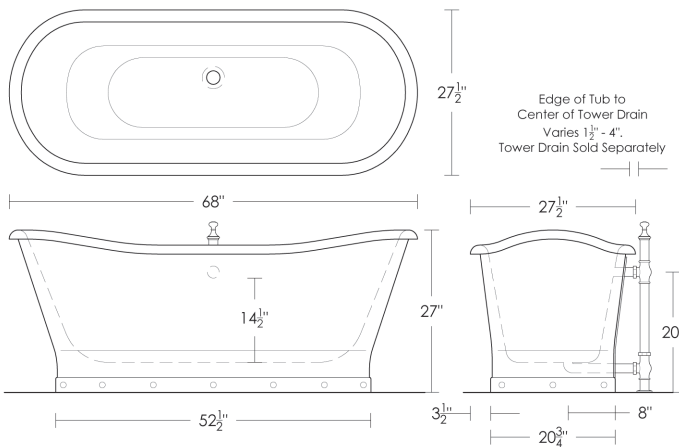
Drain and overflow sold separately

Insert is porcelain enameled cast iron which will not yellow or scratch like acrylic liners



450 lbs - Empty

See page 2 for skirts in other solid metals.





Polished Copper with exposed fasteners

Mercer Bathtubs

Solid Brass Skirt

UA0002-68 BT

\$23,975 Polished Nickel

\$25,400 Satin Nickel*

\$27,950 Light Pewter*

Note:



425 lbs – Empty

Solid Aluminum Skirt

UA0007-68 BT

\$16,500 Aluminum

Call for Powder Coated Colors pricing

Notes: Aluminum will not rust



350 lbs - Empty

Solid Copper Skirt

UA0009-68 BT

\$27,950 Polished Copper

Ask for pricing Green Patina*, Statuary Brown [gloss or matte]* Statuary Black [gloss or matte]*

Notes: Copper is a living finish; it will change over time and will never rust.

Skirts, bands and fasteners can be made in contrasting finishes. Please ask your sales associate.



425 lbs - Empty



Custom finishes not returnable

Options: Specify with or without Rivets. Same price.

Notes: Drain and overflow sold separately

Insert is porcelain enameled cast iron which will not yellow or scratch like acrylic liners