



Indian Carrara [honed]

Estate Bathtub

Carved out of a solid block of marble.

Indian Carrara [honed]		
\$24,000	UA0001-60-I BT	60" x 32"
\$24,000	UA0001-68-I BT	68" x 32"
\$26,000	UA0001-72-I BT	72" x 32"
\$29,000	UA0001-80-I BT	80" x 32"

Notes: Specify position of drain and overflow
 UA0001-I S BT Side
 UA0001-I E BT End
 UA0001-I C BT Center

***** Estate bathtubs are not returnable



UPC certification
 PS-99 compliant

Drain and overflow sold separately.

Please note that the drain line will need to run below the surface of the floor. The bottom of the tub is solid.

Marble color and veining will vary.

Inquire for pricing for other stones.

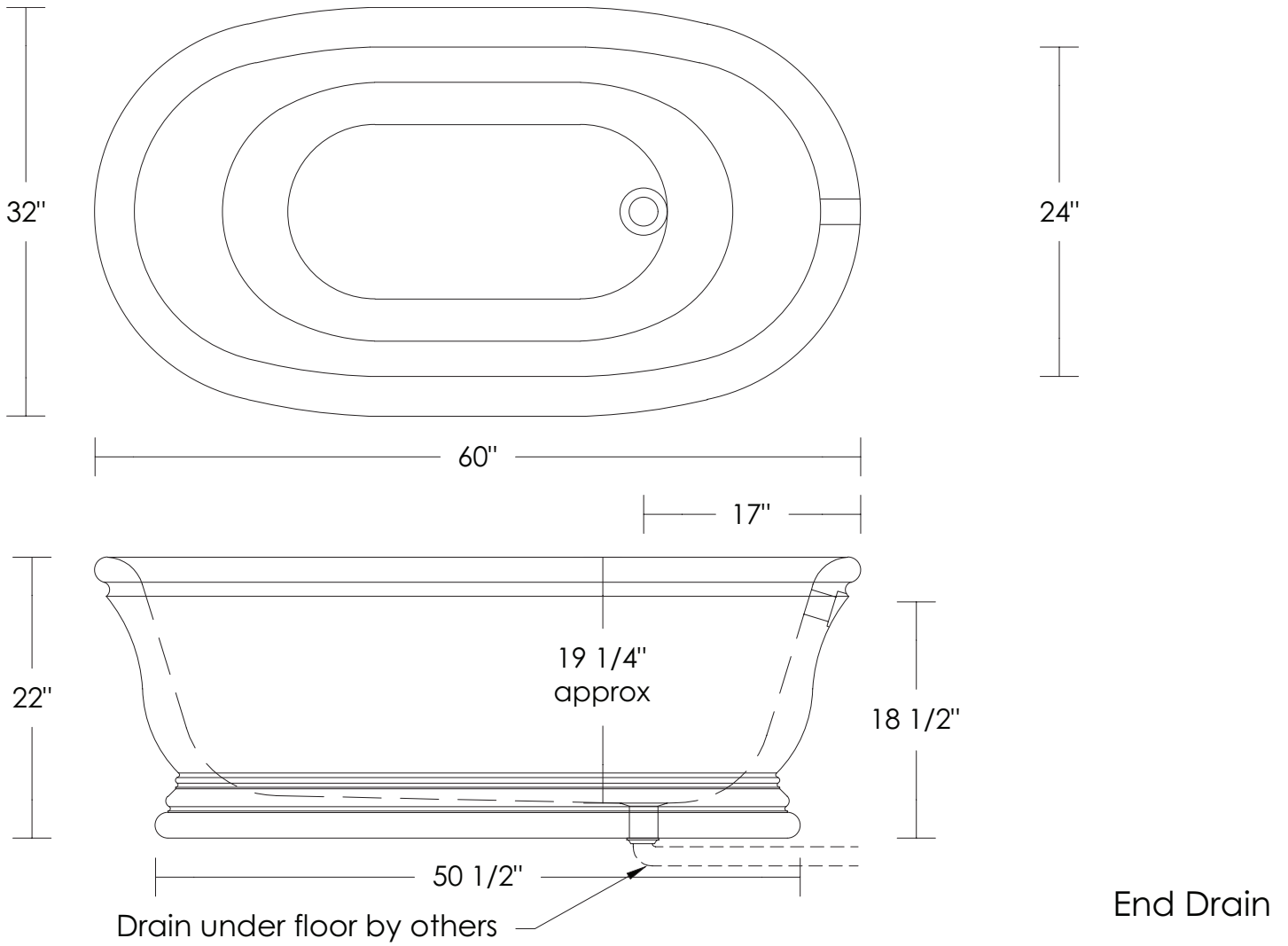
An individual will displace approx. 20-25 gallons of water, and will likely weigh less than the water displaced (175-210lbs). There is no need to take the weight of the user into consideration.

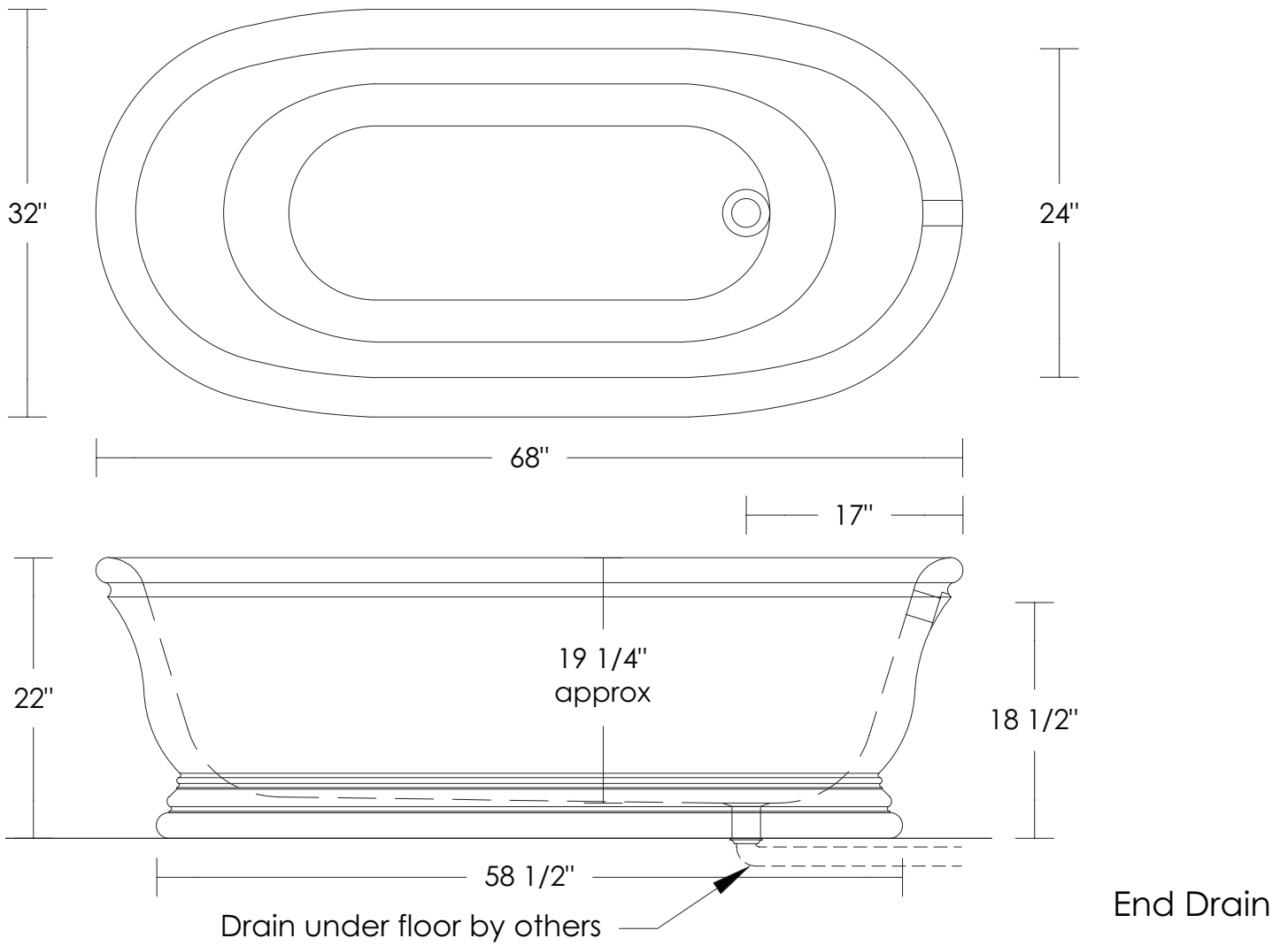
All tubs are hand-made and carved out of a solid block. Some may hold less water than others, these numbers are estimated on the high side, and are not likely to be exceeded.

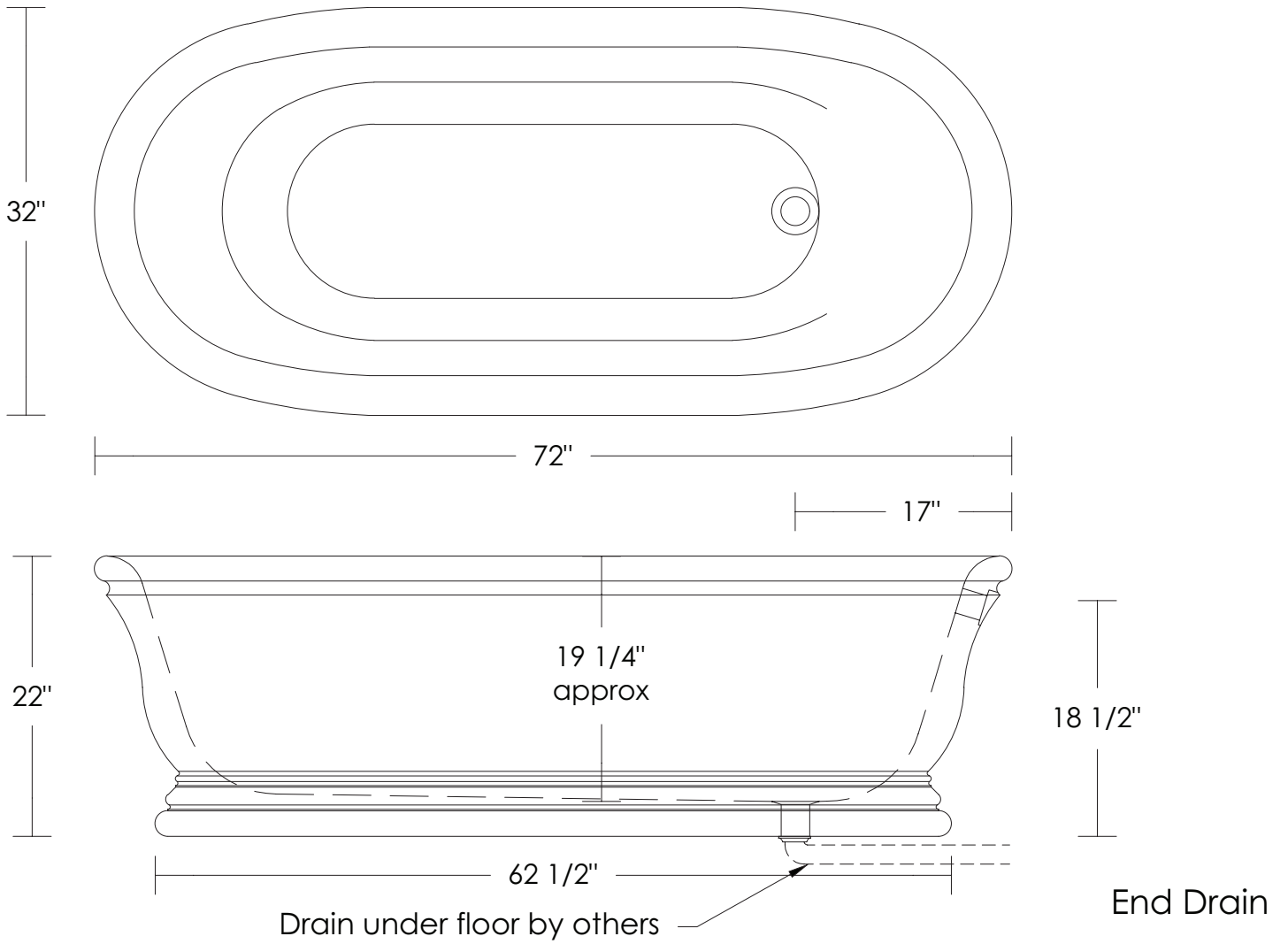
Attention:
 Our marble tubs and washstand tops are not sealed. If you want to seal them, test an area that is not very visible to see how the sealer affects the stone.



60"	68"
Empty: 1,085 lbs	Empty: 1,150 lbs
Full: 1,460	Full: 1,600
Capacity: 50 gallons	Capacity: 55 gallons
Load: 150 lbs/sf	Load: 150 lbs/sf
72"	80"
Empty: 1,300 lbs	Empty: 1,350 lbs
Full: 1,750	Full: 1,900
Capacity: 60 gallons	Capacity: 65 gallons
Load: 150 lbs/sf	Load: 150 lbs/sf









Estate Tub
Solid marble hand-carved carrara honed

Custom Yale Club Towel Bar

Wall Tile:
6" x 6" Hand Painted Stripes – V70
3" x 6" Festoon Silk Screen – V70
3" x 6" White Clay Body Alabaster – V70