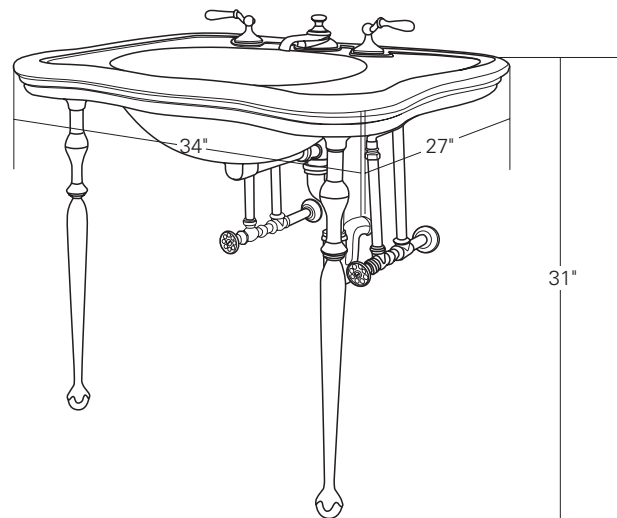
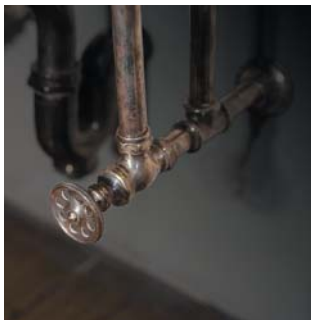


ANTIQUe PORCELAIN SINK

(FROM THE J.L. MOTT CO.; NEW YORK)

This elegant porcelain sink is circa 1900 and fitted with its original silver-plated brass hardware. Details include the original p-trap and wonderfully detailed hot and cold shut-off valves. Adding to the sink's whimsy is the porcelain ball feet which punctuate the sink's delicately slender legs. The sink top remains in remarkably pristine condition, and all of the original hardware works. The sink's design comes from the J.L. Mott Ironworks catalogue of products. Producing a variety of fixtures for the home well before this sink was produced, the J.L. Mott company of New York set the standard for the Victorian movement. The company frequently published wonderfully detailed and elaborate product catalogues which offered a descriptive glimpse into the homes and lives of middle and upper-class American households of the period. The catalogues also offered a comprehensive record of Victorian pieces such as this sink.



REF# UA4 SV \$15,500 **SOLD**

*Please contact our Franklin Street Showroom for more information.