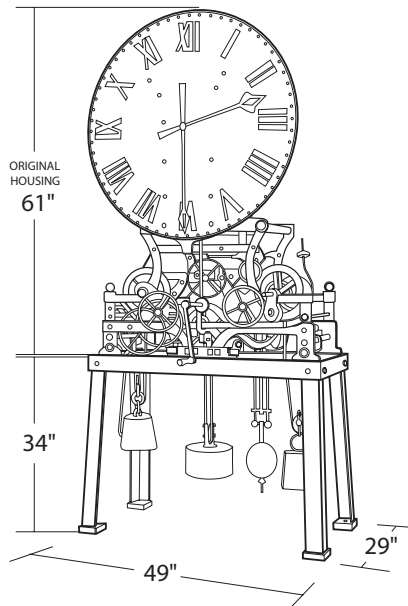


IRON TOWER CLOCK

This iron-faced clock with exposed mechanism has been partially restored, and is in working condition. Originally installed in a tower, the clock now sits atop a new iron base, with its inner workings clearly displayed. The clock runs on three counter-weights and a pendulum. Each weight can be reset by a removable hand-crank. The gears and mechanisms have been hand crafted, one bearing the inscription, "Patent UHR #2 1878, Karl Flugel's" written in elegant script. The clock is available for acquisition, and is on display in our Franklin Street showroom.



REF# UA27 SV \$45,000

\*Please contact our Franklin Street Showroom for more information.