

Assembly Instructions for Victoire Table Lamp

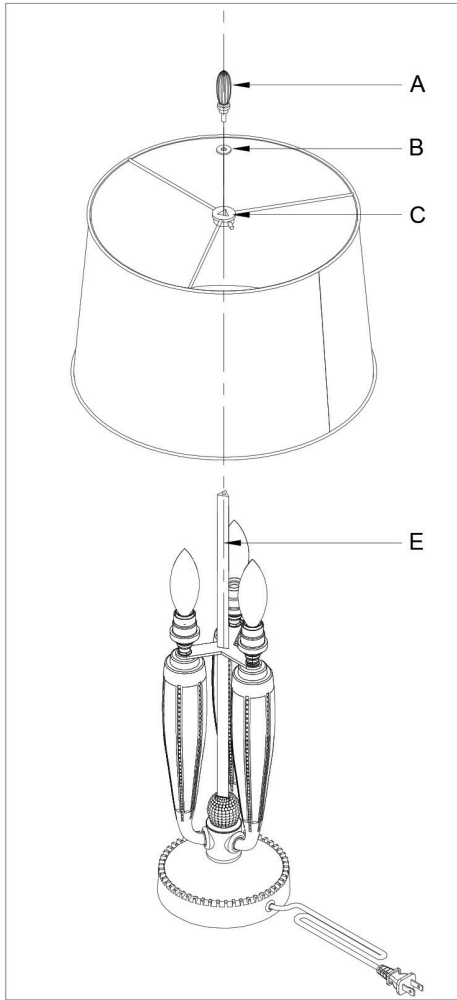


Fig 1. Parts

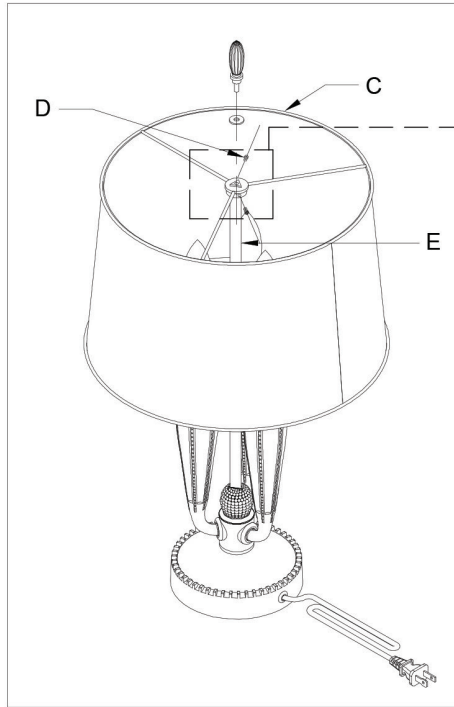


Fig. 2

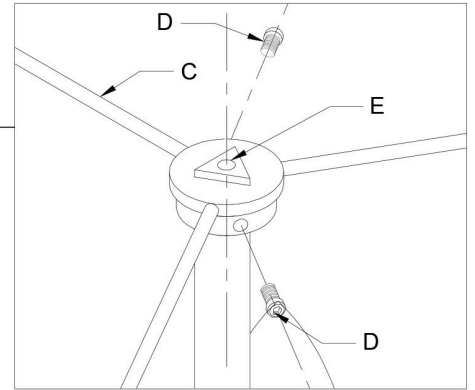


Fig. 3

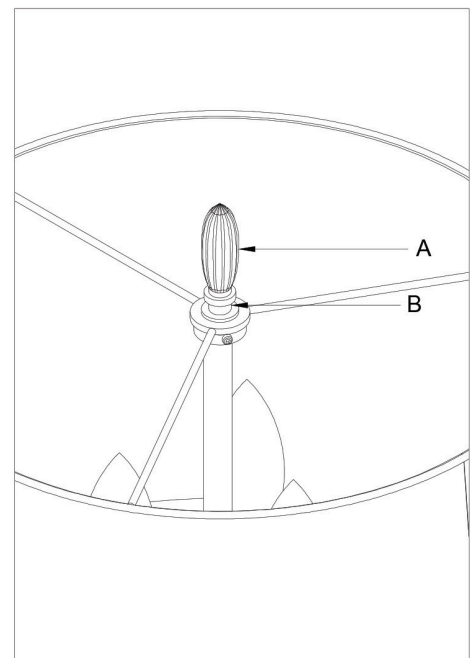


Fig.4

Instructions Assembly:

1. Person-1: Wearing clean cotton gloves, slide the Shade (C) over the top of the post (E). Hold the shade at the desired height (Fig.2).
 2. Person-2: While person-1 is holding the shade in the desired position person-2 screws the two Allen-Head set screws (#8-32) (D) into the hole on the center of the shade that sits over the post (E) (Fig.3).

3. After you secure the shade to the post, place the washer (B) and screw the finial (A) into the post. This secures the entire assembly (Fig 4.).

***Assembly required two people**