

## Assembly Instructions for Straight Legs (UA2705 SL)

These instructions refer to drawings on Page 3 of the instructions. Please review those drawings before starting the installation. The important dimensions are summarized to the right.

### Important Dimensions:

- A. Leg height minus pins.
- B. Distance between the slot centerlines on the sink brackets.
- C. Distance between the front leg pins.
- D. Distance from the front leg pin centerlines to the back edge of the washstand top.
- E. Pin centerlines to the front & side edges of the washstand top.
- G. Gap from the washstand top to the wall.

### Preparation

Preparation of the wall where the sink will be attached, proper attachment of the sink to the wall, and proper installation of leg pins into holes in the floor are critical for safe installation of the sink assembly. Since there are different circumstances that can be encountered during installation, these installation Instructions cannot cover every circumstance or condition. It is the responsibility of the installer to insure that the sink assembly is properly and safely installed.

### Wall & Floor Preparation:

The wall must be able to support the weight of the sink assembly. It is recommended that blocking be installed behind the wall, securely attached to the wall framing, that will allow the sink assembly to be attached firmly to the wall.

**THE FLOOR MUST BE LEVEL** or the washstand must be installed level when installing the legs.

### Installation Steps:

#### Step 1: Mark Bracket Locations on Wall

Locate the bracket positions on the wall, centered over the plumbing about Dimension B, at a height of Dimension A. Note that **Dimension B is to the bracket slot centers**. See Figures 1 & 2. Make sure the flat surfaces of the brackets are facing up, are level, and are in line with each other. The flat surface of the bracket must be in line with Dimension A.

Mark the bracket locations / hole locations.

Pre-drill the bracket holes, then attach the brackets to the wall with screws.

#### Step 2: Mark Leg Hole Locations on Floor

Measure the leg hole spacing Dimensions C and D. Layout the dimensions on the floor centered about the plumbing. See Figure 1. Make sure to add the wall gap G. Check the washstand order for a non-standard gap. Standard Gap is 1/2".

Drill the holes in the floor for the leg pins.

#### Do Not Skip This Step. Do Not Cut Off The Leg Pins.

It is critical for safety and stability that the leg pins seat into holes in the floor.

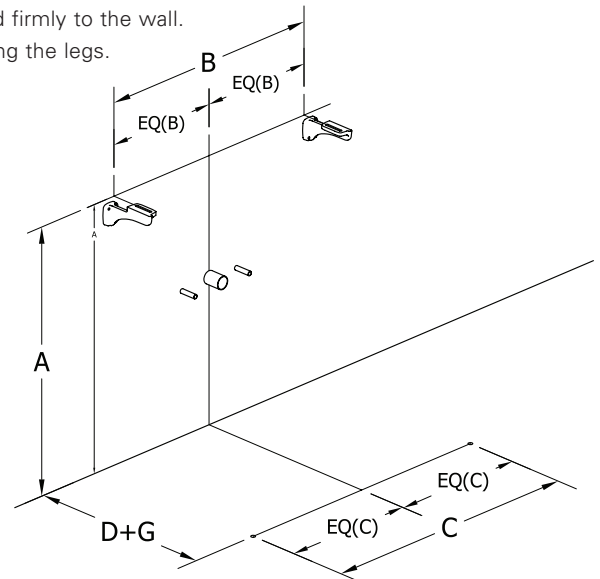


Figure 1

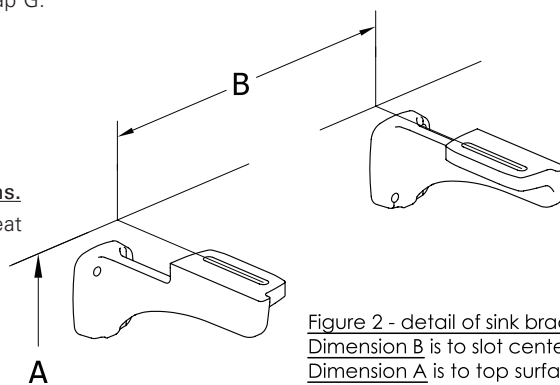


Figure 2 - detail of sink brackets.  
Dimension B is to slot centerlines and  
Dimension A is to top surface of bracket.

Installation Steps (Continued):

**Step 3: Install the Washstand Top and Legs**

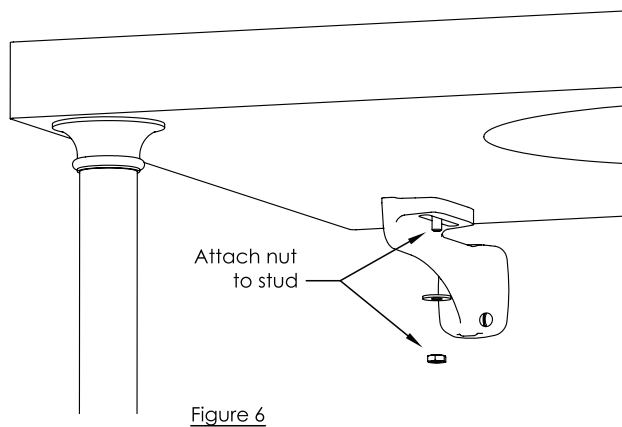
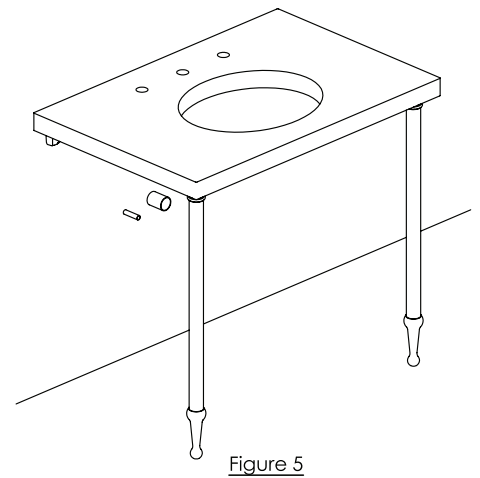
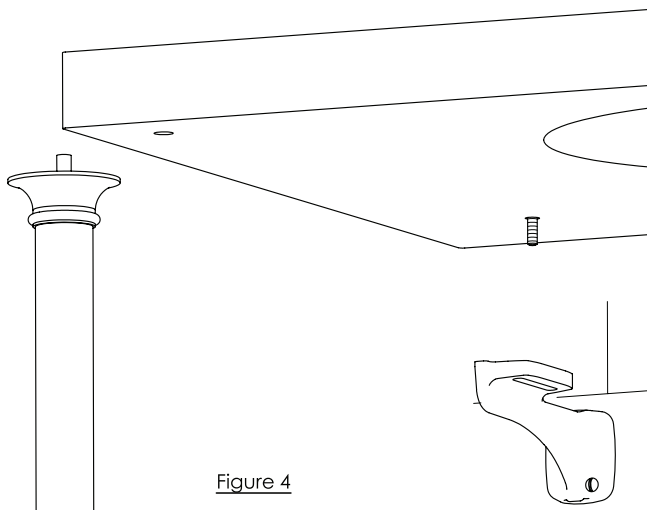
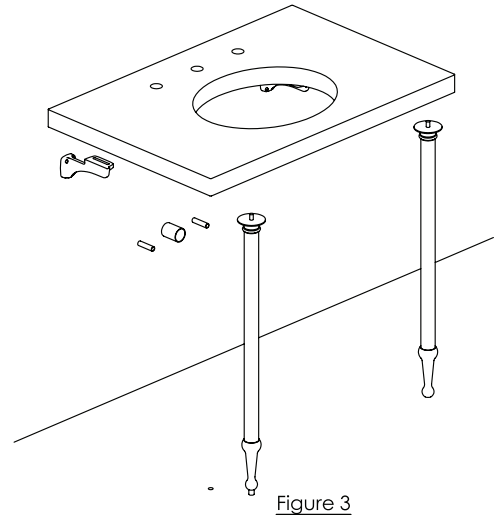
Set the washstand top down onto the sink brackets insuring that the studs in the bottom of the washstand top engage in the slots in the brackets. See Figures 3, 4 & 5. Use helpers to hold the top steady.

(Note the basin may be attached to the washstand top for this step. Not shown in drawings.)

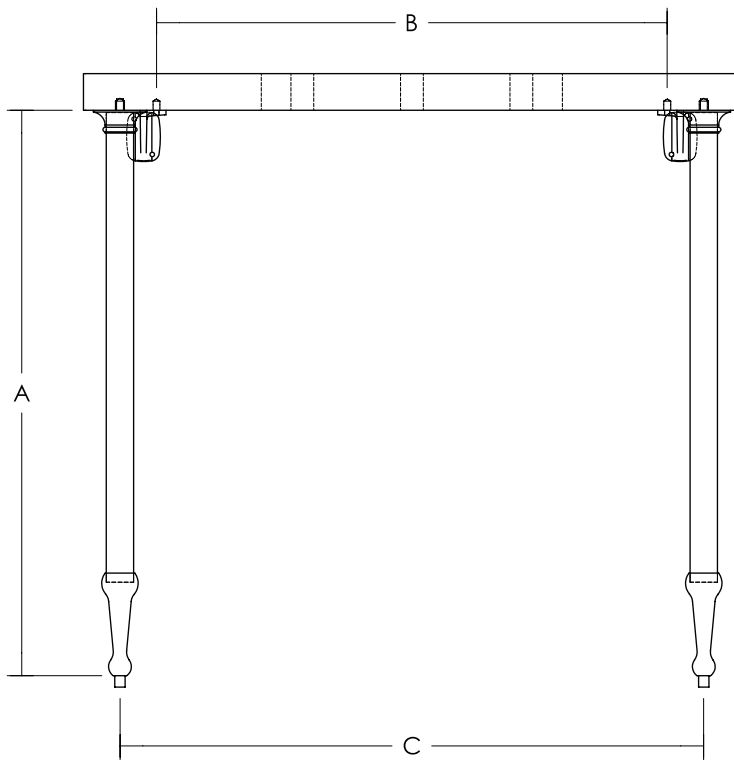
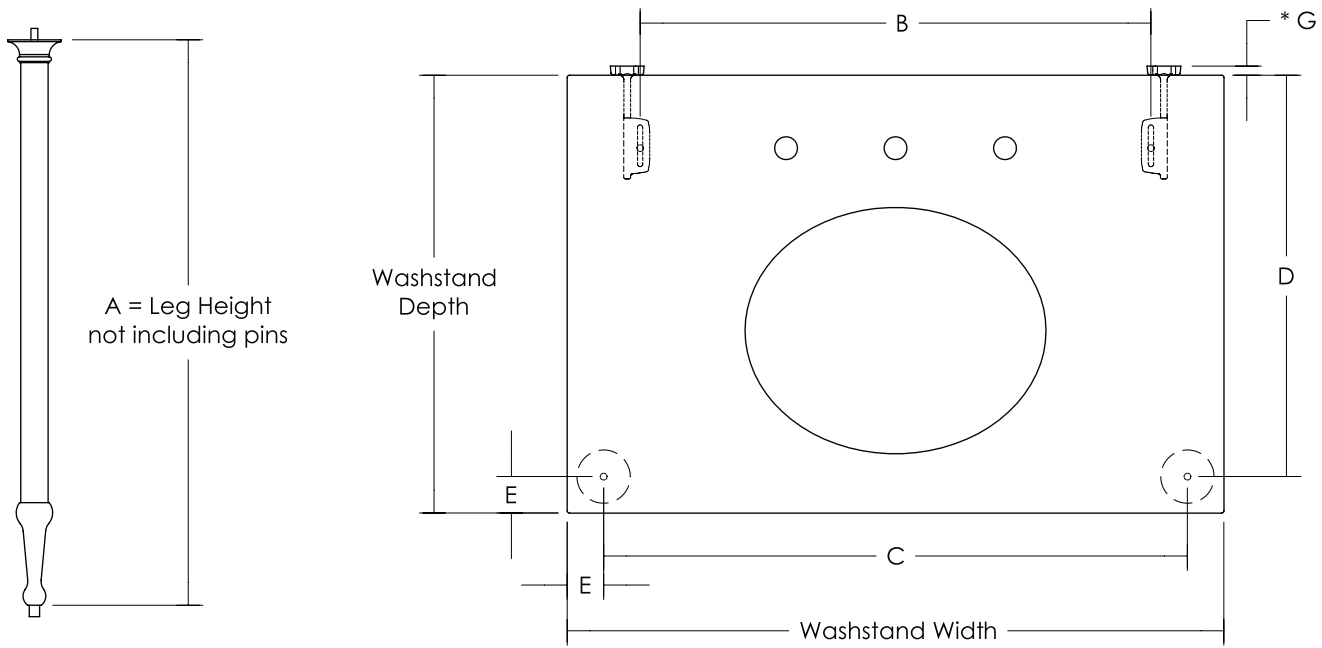
Insert each leg into position insuring that the leg pins engage the holes at the washstand top and floor.

Check the washstand top and legs for plumb and level.

Plaster on top of each leg cap should be used to bond the leg to the top. Screw the hex nuts onto the studs to secure the washstand top to the sink brackets. See Figure 6.



For more information, please see: <http://www.urbanarchaeology.com/washstands/base/StraightLegs.html>



Front View

\* Note: G may be zero for your particular washstand assembly. Standard washstand top is 24" deep and has 1/2" gap G.