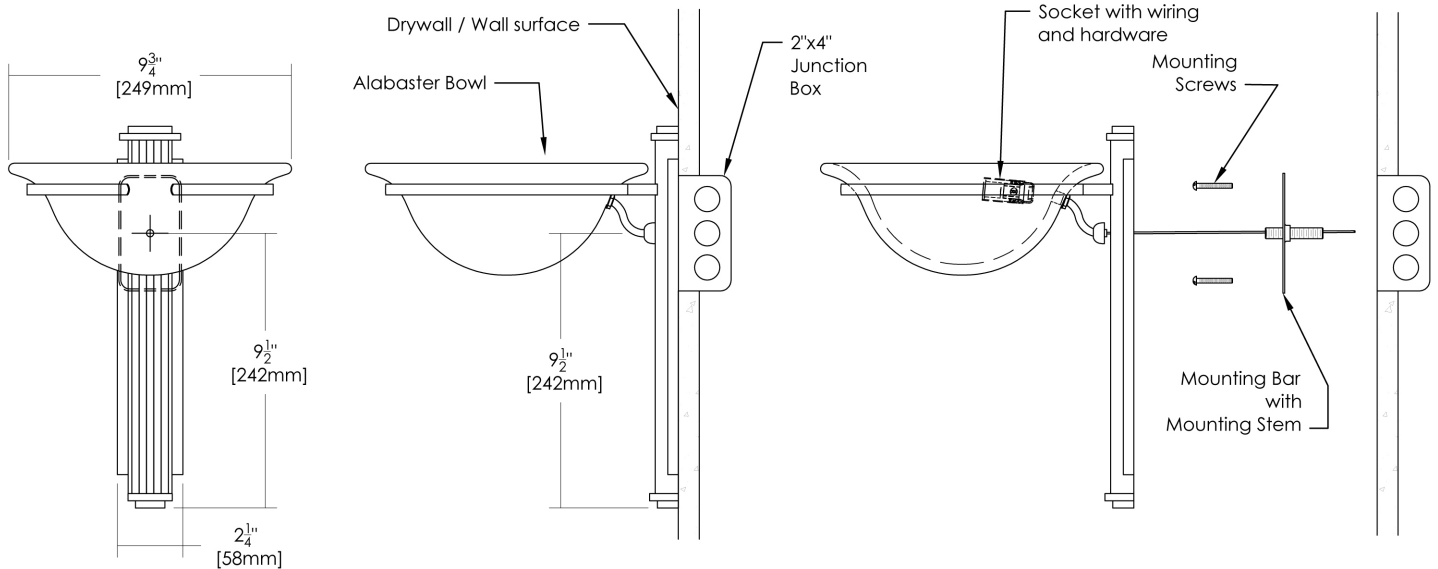


**Assembly Instructions for Ruhlmann Style Sconce (UA0003 IS)**

**Fixture Installation:**

- After unpacking the fixture, remove the Mounting Bar with the Mounting Stem from the fixture.
- The Mounting Bar is attached to the Junction Box in the wall with 2 screws. Thread the Mounting Stem through the center hole in the Bar.
- The socket wiring on the fixture is pulled through the hollow Half-Ball Nut and run through the Backplate, the Mounting Stem and into the Junction Box.
- Make wire connections to the building wiring and ground at the Junction Box.
- The fixture is attached to the wall by sliding it over the Mounting Stem through the hole in the Backplate.
- The Half-Ball Nut is threaded onto the Mounting Stem and tightened to secure the fixture.

