

## Assembly Instructions for Oval Base (UA2796 SL)

These instructions refer to drawings on Page 4 of the instructions. Please review those drawings before starting the installation. The important dimensions are summarized to the right.

### Important Dimensions:

- A. Leg height minus pins.
- B. Distance between wall flange bracket centerlines. Also the distance between the bracket studs on the underside of the washstand top.
- C. Distance between the leg pin centerlines.
- D. Distance between the leg pin centerlines on the sides.
- E. Distance from the back leg pin centerline to the washstand top back edge.
- F. Distance between the front leg pins to the wall.
- G. Gap between washstand top and wall.

### Preparation

Preparation of the wall where the sink will be attached, proper attachment of the sink to the wall, and proper installation of leg pins into holes in the floor are critical for safe installation of the sink assembly. Since there are different circumstances that can be encountered during installation, these installation Instructions cannot cover every circumstance or condition. It is the responsibility of the installer to insure that the sink assembly is properly and safely installed.

### Wall & Floor Preparation:

The wall must be able to support the weight of the sink assembly. It is recommended that blocking be installed behind the wall, securely attached to the wall framing, that will allow the sink assembly to be attached firmly to the wall. **THE FLOOR MUST BE LEVEL** or the washstand must be installed level when installing the legs.

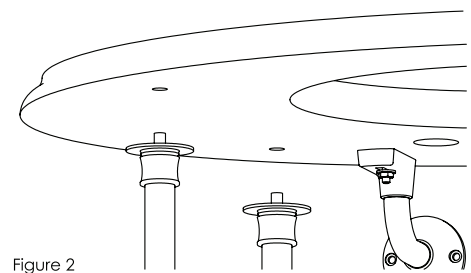
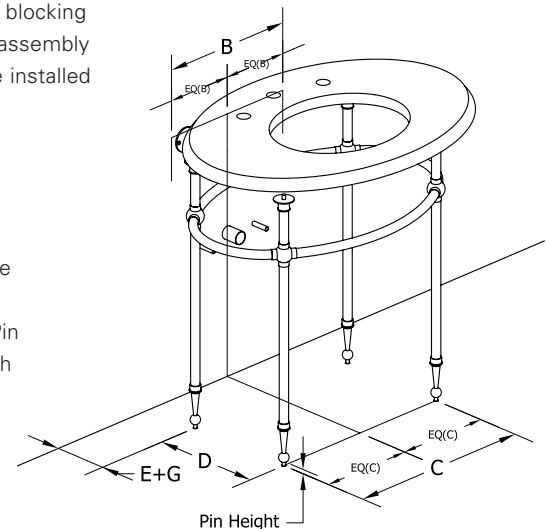
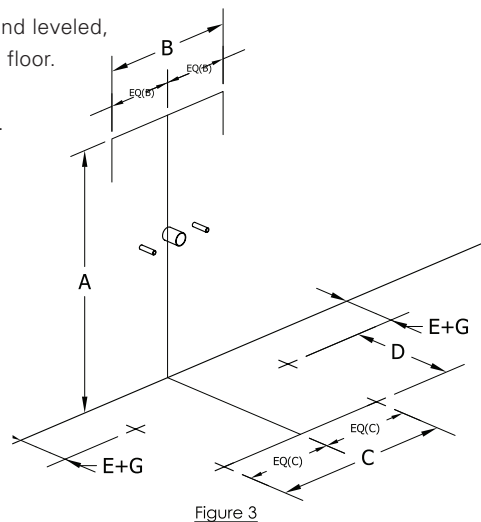
### Installation Steps:

#### Step 1: Mark Hole Positions on Floor.

- a. Set the leg frame in position at the wall, centered at the plumbing lines and drain. See Figure 1. Set the washstand top with the sink brackets attached to the studs under the top onto the base assembly, with the leg top pins engaged in the holes in the marble top. See Figure 2. The pins on the legs will keep the washstand raised above the floor by the Pin Height for this step. Move the assembly so that the brackets are flush against the wall with the desired top-to-wall gap Dimension G. Use care when moving and positioning. Use a helper to hold everything steady.

- b. When everything is centered, squared and leveled, mark the location of the 4 foot pins on the floor.

- c. Remove the top and the base assembly. See Figure 3.



Installation Steps (Continued):

**Step 2: Drill Holes in Floor.**

Check that the foot pin marks are even on both sides. Drill the 4 holes in the floor for the foot pins. See Figure 4. **Do Not Skip This Step. Do Not Cut Off The Leg Pins.** It is critical for safety and stability that the leg pins seat into holes in the floor.

**Step 3: Mark Wall Bracket Locations.**

Set the base assembly in position with the foot pins in the holes in the floor and the washstand top set back on top of the leg assembly. Make sure the washstand top brackets are flush against the wall.

Check the assembly for level. See Figure 5.

Mark the hole locations for the wall brackets. See Figure 6. It is recommended to remove the washstand top and base assembly to pre-drill the wall bracket holes. See Figure 7.

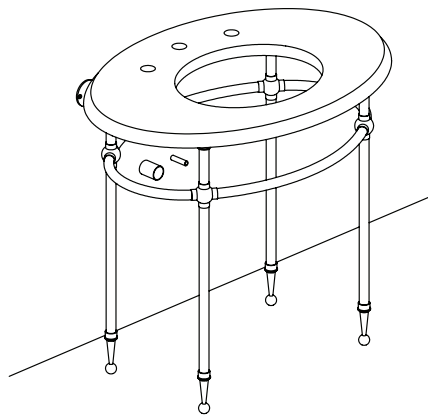
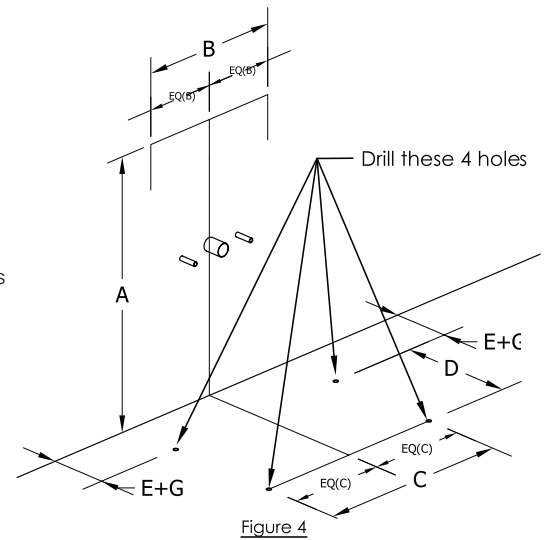


Figure 5

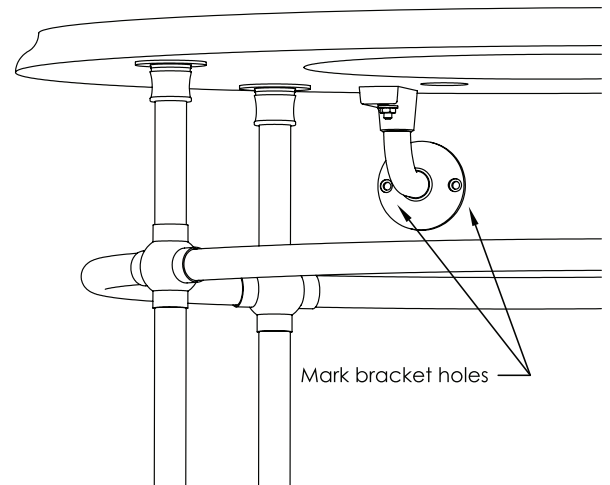


Figure 6

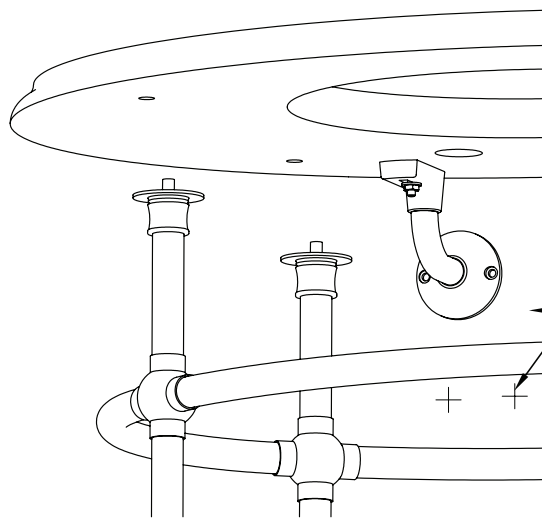


Figure 7

Remove top and base before drilling to protect finishes.

Installation Steps (Continued):

**Step 4: Attach Washstand Top**

Attach the washstand top onto the base assembly, making sure the leg pins engage the holes in the washstand top and the brackets are lined up with the pre-drilled holes in the wall. See Figure 8. Screw the brackets to the wall. Check the washstand for level. See Figure 9. (Note the basin may be attached to the washstand top for this step. Not shown in drawings.)

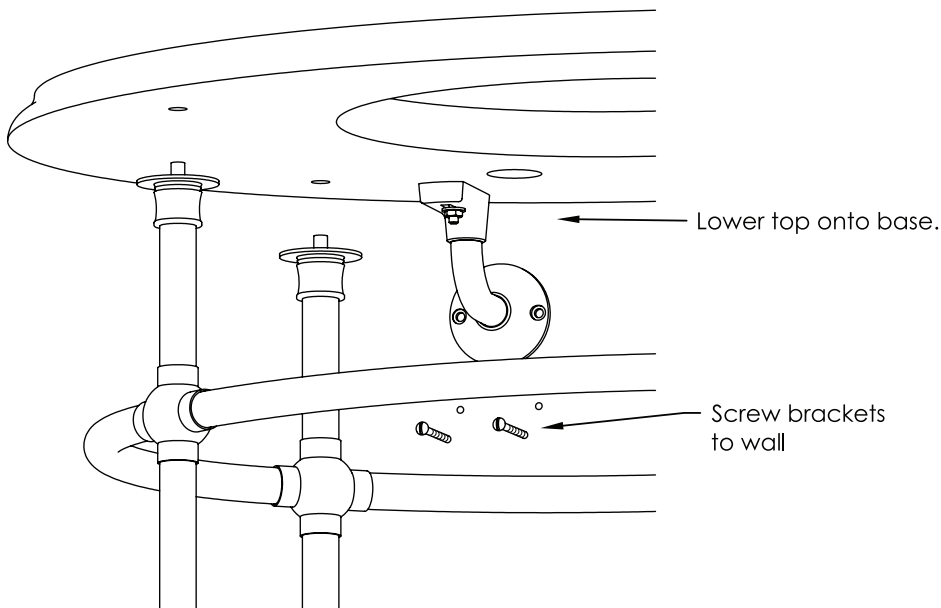


Figure 8

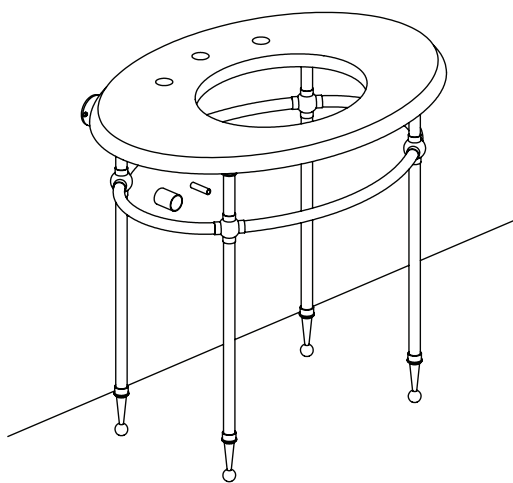
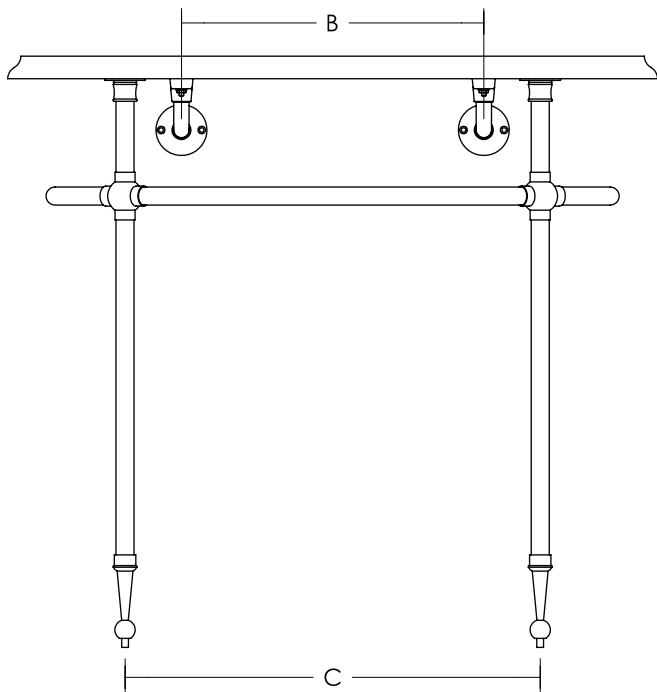
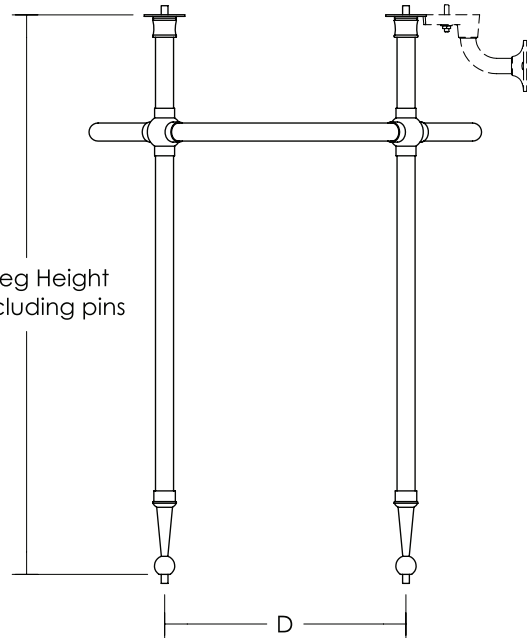


Figure 9

For more information, please see: <http://www.urbanarchaeology.com/washstands/base/OvalBase.html>

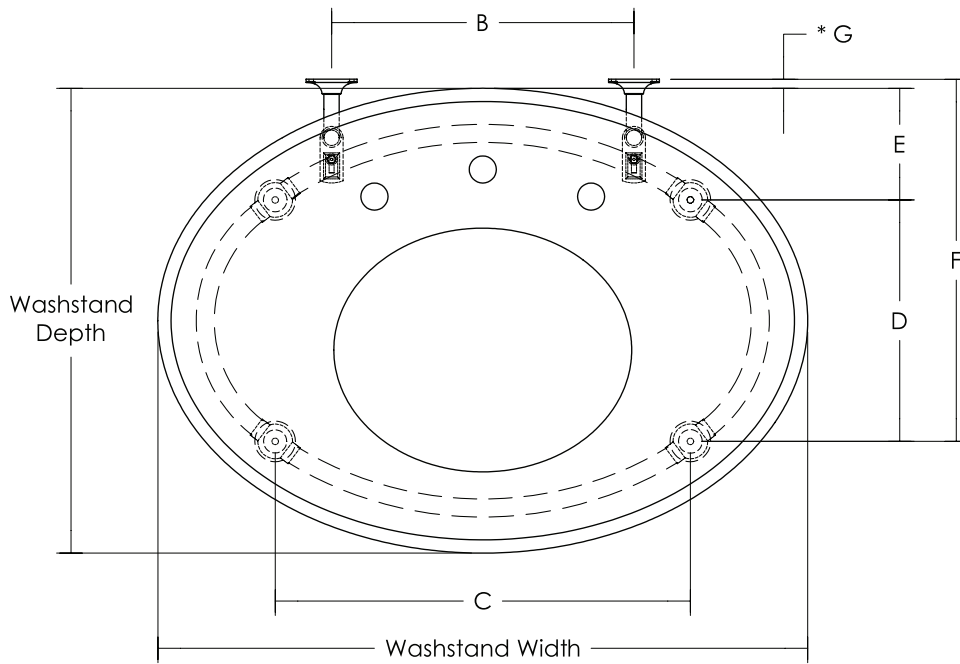


Base Assy Front View shown with brackets and top



A = Leg Height  
not including pins

Base Assy Side View shown with brackets for wall reference



\* Standard Oval washstand top is 25 3/4" deep and has gap G between 1/2" and 1 1/4".