

Installation Instructions for One Madison LED Mirror

Item code # UA2582 BA

Input: 100-240VAC 1.2 A 50-60Hz
277VAC .5A 50-60Hz
(277VAC for North American only)

Important Safety Instructions

Read all instructions and save for the future.

Do not use attachments not recommended by the manufacturer.

Never use mirror with LED lighting if not operating properly.

Do not use outdoors.

No user-serviceable parts inside. However, if the LED strips inside need to be replaced the back of the mirror is removable.

Warning:

Risk of fire and electric shock if improperly installed. Must be installed by a licensed electrician according to the instructions provided.

Caution:

Turn off power at main electrical box prior to installation.

Installation Instructions

Prepare the Power Supply

1. The lighting inside the mirror is low-voltage LED lighting. It is powered by an LED driver that is connected to the building's 110V power supply. The driver provided is a 24V 100w 4amp driver, Mean Well HLG-100H-24 or equal.
2. The LED driver is remote, not inside the mirror frame, and must be located no more than 15' from the mirror. If it is located above a ceiling or behind a wall, the LED driver must be near an access panel making the driver accessible for inspection or repairs.
3. Power/supply connections to the LED driver must be made inside a junction box that can be enclosed.
4. The mirror is supplied with 15 feet of 16/2 CL2P Plenum cable which is to be pulled to the location of the LED driver and connected. The CL2P wire is rated to run above ceilings.

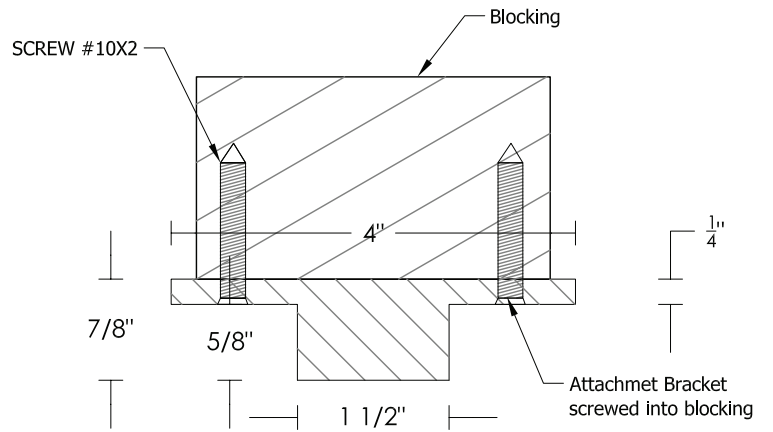
Prepare the blocking above ceiling (if mounting to a dropped ceiling)

1. A steel ceiling attachment bracket is provided to be used for the installation of the mirror on a dropped ceiling. The bracket is intended to make the suspended mirror rigid once installed.
2. The attachment bracket will be screwed into blocking above the ceiling. (screws are provided) The blocking must be located at a height that places the bottom of the bracket flush with the projected height of the finished ceiling. The blocking must be level and securely attached to the structure above. The screws that are supplied, will go through predrilled holes at top of the mirror frame, the steel bracket and then into the wood blocking.

Install the ceiling attachment bracket

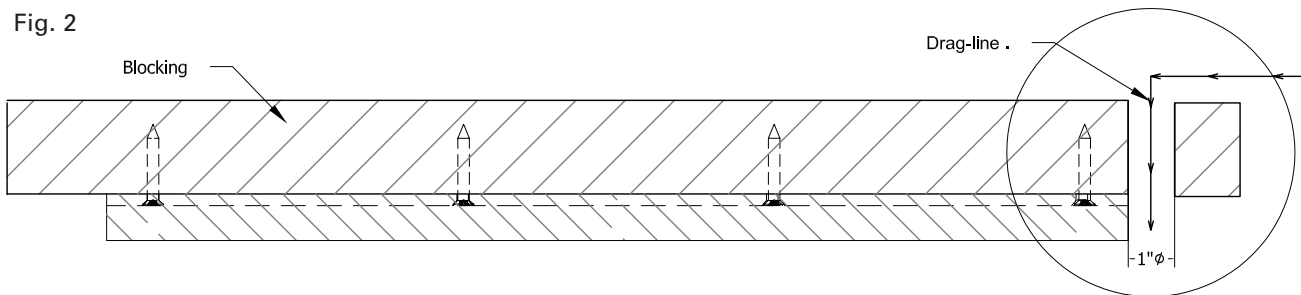
1. Mount the attachment bracket to the blocking above the ceiling, making sure that it's level (Fig.1). (Blocking must be secured to structure so that it cannot move.)

Fig. 1

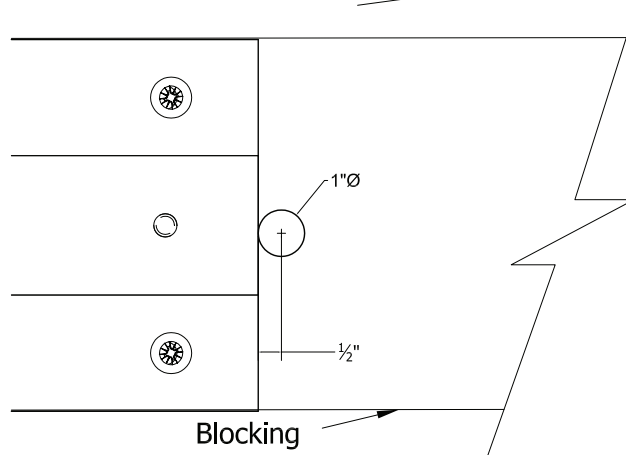


2. While the area above the ceiling is still accessible, run a dragline from the mirror location to the LED driver location. Drill a hole 1" diameter at the end of the attachment bracket where the electric cable from mirror will come through. Pull the drag line down thru the hole in the blocking (Fig.2 and Fig.3).

Fig. 2



**Bottom view detail
Fig. 3**



Install the ceiling

3. Cut a hole in the drywall ceiling to match the size of the bottom of the attachment bracket (Fig.4). The bottom of the attachment bracket should be flush with the projected ceiling height (Fig.5). Drill a 1/2" diameter hole in the ceiling aligned with the hole in the blocking. Pull the drag line thru the ceiling hole.

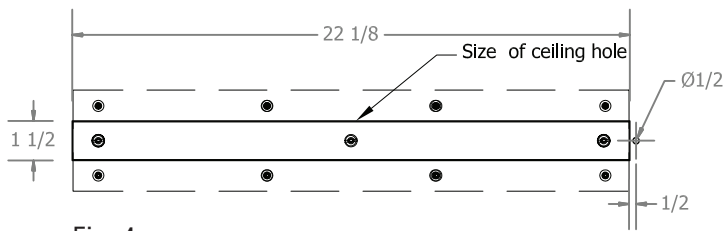


Fig. 4

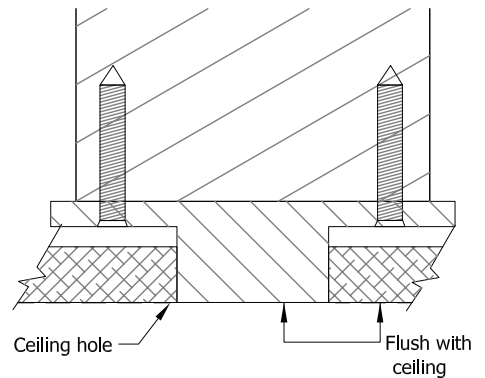


Fig. 5

Pull the wiring through the ceiling

4. The holes in the top of the mirror frame align with the holes in the attachment bracket. There is also an exit hole in the top of the frame for the electric cable. With two people holding the mirror in place. A third person will attach the electric cable to the drag-line and push the cable up the holes in the ceiling and blocking (Fig.6).

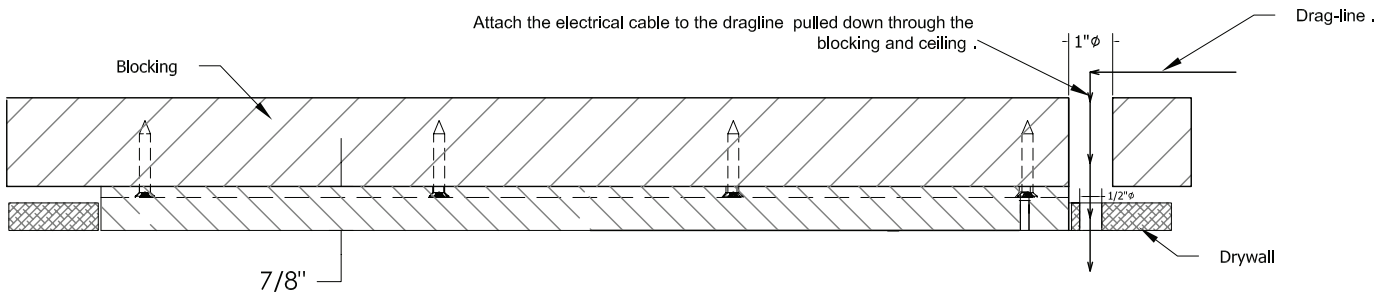


Fig. 6

Attach the mirror frame

5. There are three threaded caps on the underside of the top of the mirror frame. Unscrew these caps in order to access the screw holes meant for attaching the frame to the attachment bracket. DO NOT LOSE THESE CAPS (Fig.7).

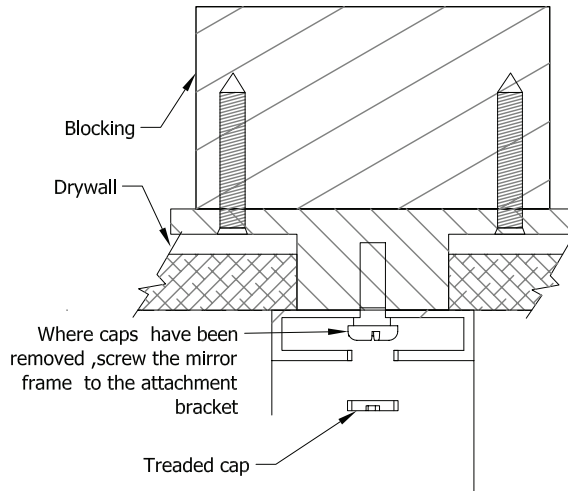


Fig. 7

6. Before finalizing the installation, make sure the mirror is perfectly level. If it is not, shims can be installed above the bracket to level the mirror. Do not put shims between the mirror frame and the drywall ceiling. The mirror frame is meant to be flush with the ceiling.

7. Once you have screwed the frame to the attachment bracket, replace the threaded caps to seal the frame (Fig 8).

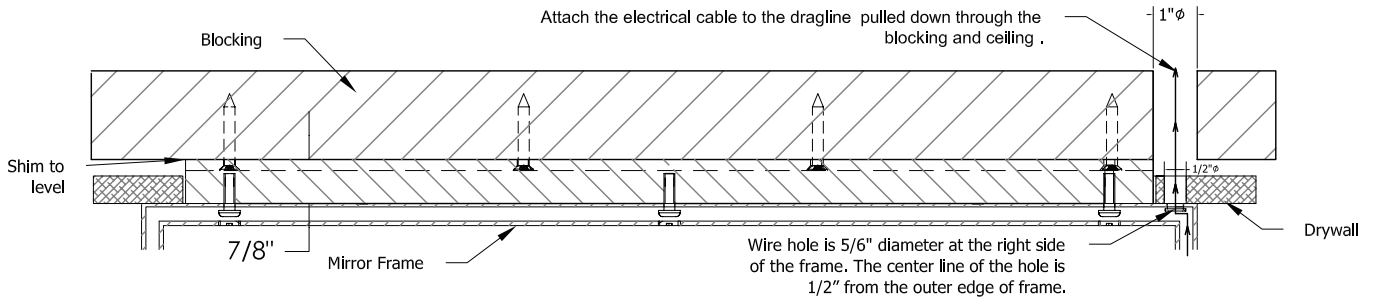


Fig. 8

8. Pull the drag-line with the electric cable attached toward the driver and make the connections.

Power Connections

1. Drag the cable from the mirror to the driver.
2. Make sure the power coming from the main electrical box is turned off.
3. Inside a junction box, connect the wires from the cable coming from the mirror to the output wires from the LED driver. Connect red wire to red wire and black wire to black wire. Once the connection is complete, close the junction box.
4. Inside another junction box, connect the input wires on the LED driver to the line voltage wires coming from main power source. Once connection is complete, close the junction box.

The LED lighting inside the mirror will be switched on / off at a wall switch provided by others.

User-maintenance Instructions

When cleaning the mirror or frame, do not use any abrasive products. Since the mirror frame is suspended from the ceiling, hold the frame in one hand to prevent movement while wiping the mirror.

Use Nevr-Dull or equal metal cleaner to clean the frame, following the manufacturer's instructions.

Grounding Instructions

This product must be connected to a grounded metal, permanent wiring system, or an equipment-grounding conductor must be run with the circuit conductors and connected to the equipment-grounding terminal or lead on the product.