

Assembly Instructions for Metropolitan Bases (2 and 3 Leg)

These instructions refer to drawings on Page 5 of the instructions. Please review those drawings before starting the installation. The important dimensions are summarized to the right.

Important Dimensions:

- A. Leg height minus pins.
- B. Front leg pin centerline to back edge of washstand top.
- C. Distance between the leg pins. Also the distance between the wall flange centerlines.
- D. Distance between the leg pin centerlines on the sides.
- E. Leg pin centerlines to the front & sides of the washstand top.
- F. Back leg pin centerlines to the back edge of the washstand top.
- G. Gap between washstand top and wall.

Preparation

Preparation of the wall where the sink will be attached, proper attachment of the sink to the wall, and proper installation of leg pins into holes in the floor are critical for safe installation of the sink assembly. Since there are different circumstances that can be encountered during installation, these installation Instructions cannot cover every circumstance or condition. It is the responsibility of the installer to insure that the sink assembly is properly and safely installed.

Wall & Floor Preparation:

The wall must be able to support the weight of the sink assembly. It is recommended that blocking be installed behind the wall, securely attached to the wall framing, that will allow the sink assembly to be attached firmly to the wall.

THE FLOOR MUST BE LEVEL or the washstand must be installed level when installing the legs.

Installation Steps (2 and 3 Leg):

Step 1: Mark the Foot Pin Locations

Set the base frame assembly against the wall in position, centered about the plumbing fittings. The base assembly will be raised up off the floor by the Pin Height for this step. See Figures 1 & 2. Mark the foot pin locations. Remove the base assembly.

Step 2: Drill Foot Pin Holes

Drill the foot pin holes in the floor. See Figure 3.

Do Not Skip This Step. Do Not Cut Off the Foot Pins.

It is critical for safety and stability that the leg pins sit into holes in the floor.

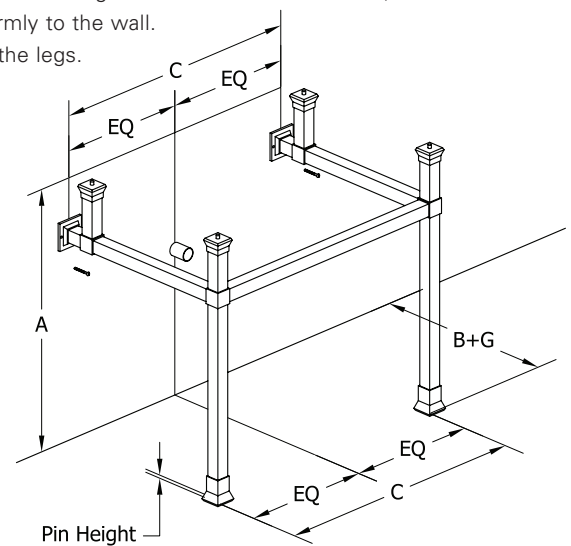


Figure 1

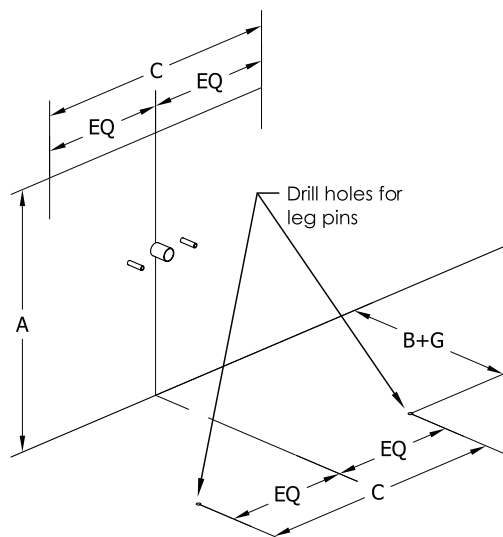


Figure 3

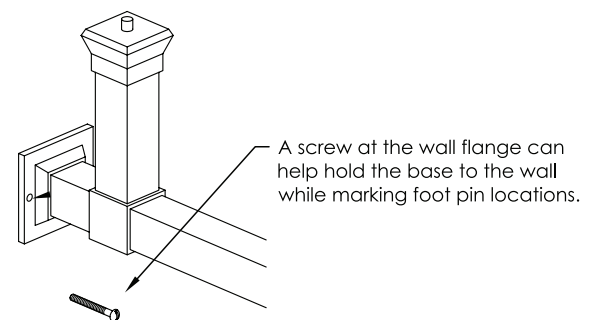


Figure 2

A screw at the wall flange can help hold the base to the wall while marking foot pin locations.

Installation Steps (2 and 3 Leg) (Continued):

Step 3: Fasten Base to Wall.

Set the base assembly in position with the leg pins in the holes in the floor. Make sure the base assembly is level at the top caps. Attach the base wall flanges to the wall with screws. See Figures 4 & 5. It may be helpful to mark the flange holes with the legs seated in the holes in the floor, then remove the base to pre-drill the wall flange screw holes.

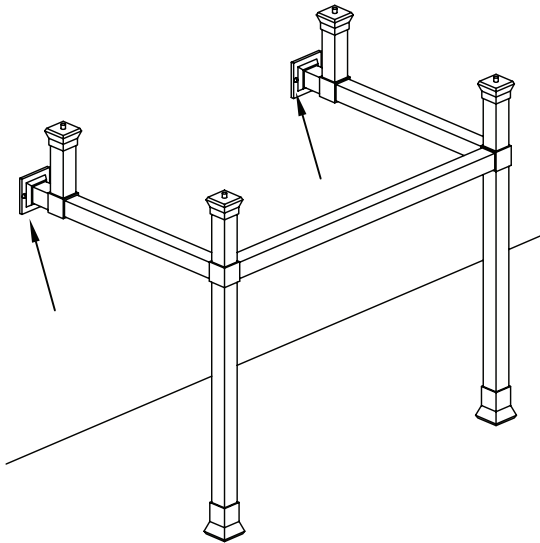


Figure 4

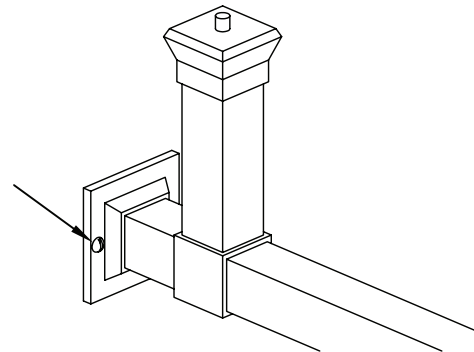


Figure 5

Step 4: Attach the Washstand Top

Attach the washstand top to the base assembly, making sure that the leg top cap pins seat into the holes in the washstand top. See Figure 6 & 7. Apply loosely mixed plaster to the pins and leg caps to adhere to the washstand top and secure it in place. (Note that the basin may be attached to the washstand top for this step. Not shown in drawing.)

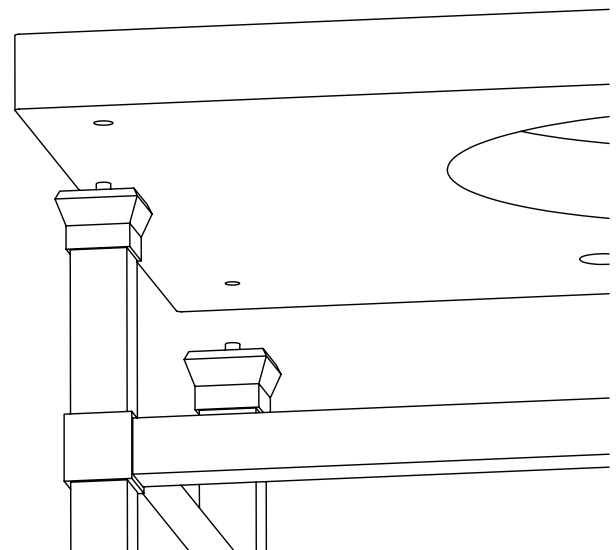
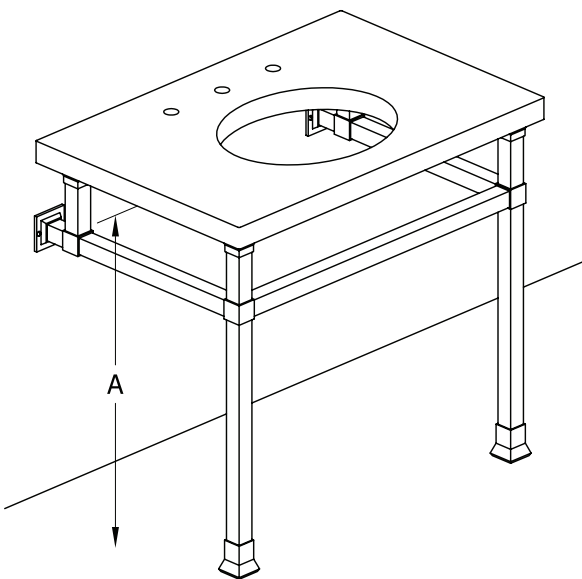


Figure 7

Assembly Instructions for Metropolitan Bases (4 and 5 Leg)

These instructions refer to drawings on Page 5 of the instructions. Please review those drawings before starting the installation. The important dimensions are summarized to the right.

Important Dimensions:

- A. Leg height minus pins.
- B. Front leg pin centerline to back edge of washstand top.
- C. Distance between the leg pins.
Also the distance between the wall flange centerlines on the wall.
- D. Distance between the leg pin centerlines on the sides.
- E. Leg pin centerlines to the front & sides of the washstand top.
- F. Pin centerlines to the back edge of the washstand top.
- G. Gap between washstand top and wall.

Preparation

Preparation of the wall where the sink will be attached, proper attachment of the sink to the wall, and proper installation of leg pins into holes in the floor are critical for safe installation of the sink assembly. Since there are different circumstances that can be encountered during installation, these installation Instructions cannot cover every circumstance or condition. It is the responsibility of the installer to insure that the sink assembly is properly and safely installed.

Wall & Floor Preparation:

The wall must be able to support the weight of the sink assembly. It is recommended that blocking be installed behind the wall, securely attached to the wall framing, that will allow the sink assembly to be attached firmly to the wall.

THE FLOOR MUST BE LEVEL or the washstand must be installed level when installing the legs.

Installation Steps (4 and 5 Leg):

Step 1: Mark the Foot Pin Locations

Set the base frame assembly against the wall in position, centered about the plumbing fittings. The base assembly will be raised up off the floor by the Pin Height for this step. See Figures 8 & 9. Mark the foot pin locations. Remove the base assembly.

Step 2: Drill Foot Pin Holes

Drill the foot pin holes in the floor. See Figure 10.

Do Not Skip This Step. Do Not Cut Off the Foot Pins.

It is critical for safety and stability that the leg pins sit into holes in the floor.

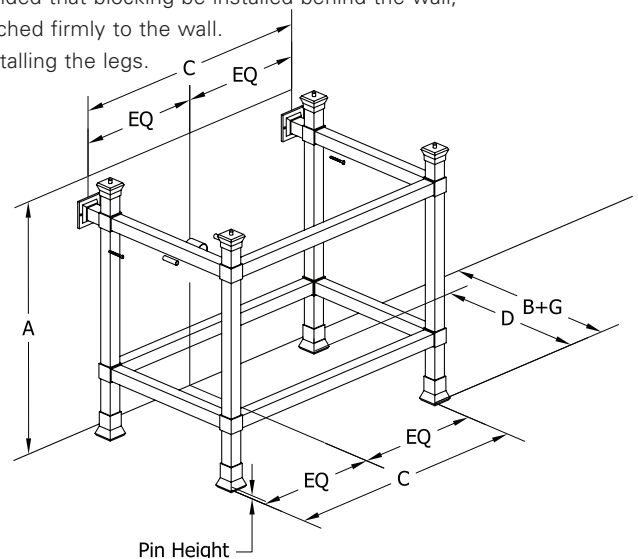


Figure 8

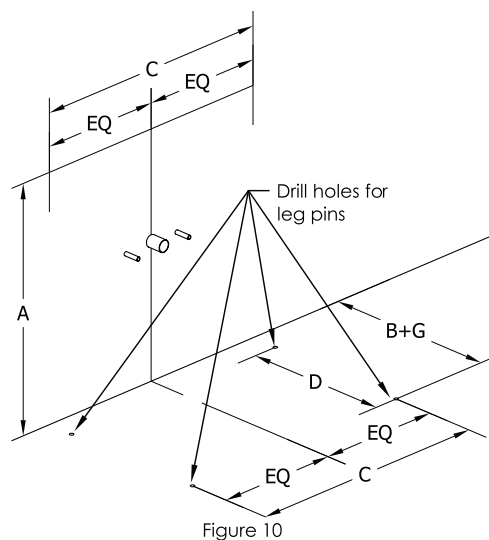


Figure 10

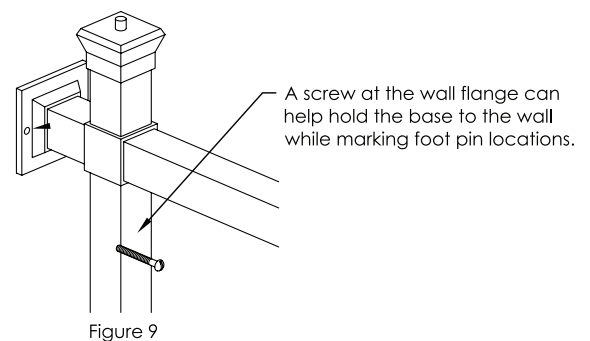


Figure 9

Installation Steps (4 and 5 Leg) (Continued):

Step 3: Fasten Base to Wall.

Set the base assembly in position with the leg pins in the holes in the floor. Make sure the base assembly is level at the top caps. Attach the base wall flanges to the wall with screws. See Figures 11 & 12. It may be helpful to mark the flange holes with the legs seated in the holes in the floor, then remove the base to pre-drill the wall flange screw holes. Insure the base assembly is level.

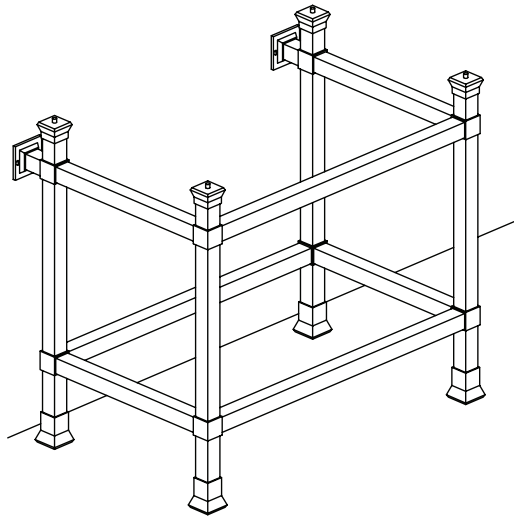


Figure 11

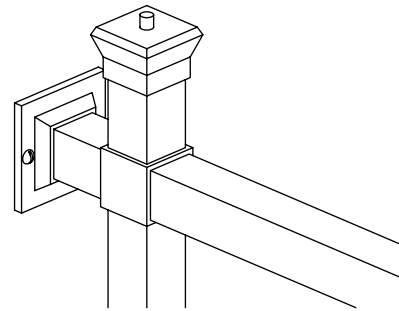


Figure 12

Step 4: Attach the Washstand Top

Attach the washstand top to the base assembly, making sure that the leg top cap pins seat into the holes in the washstand top. See Figure 13 & 14. Apply loosely mixed plaster to the pins and leg caps to adhere to the washstand top and secure it in place. Insure the washstand top is level. (Note that the basin may be attached to the washstand top for this step. Not shown in drawing.)

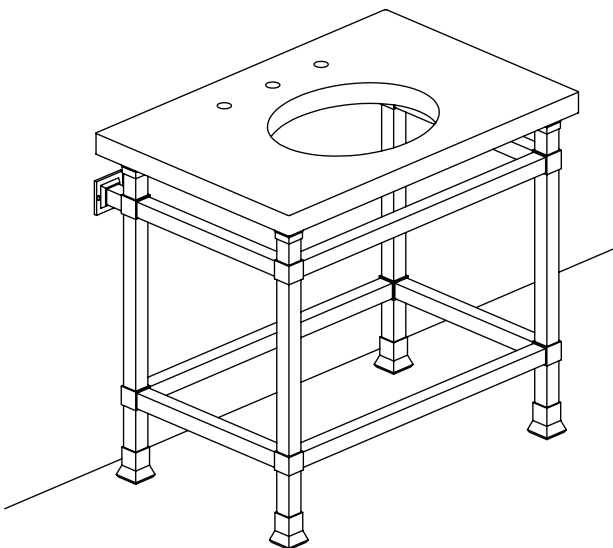


Figure 13

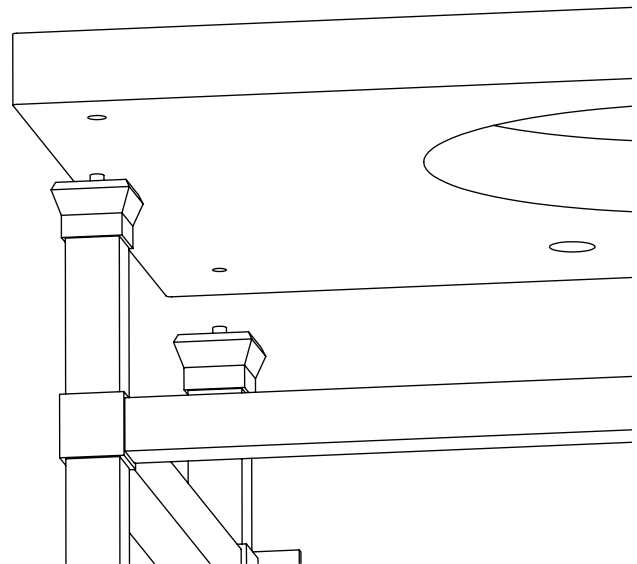
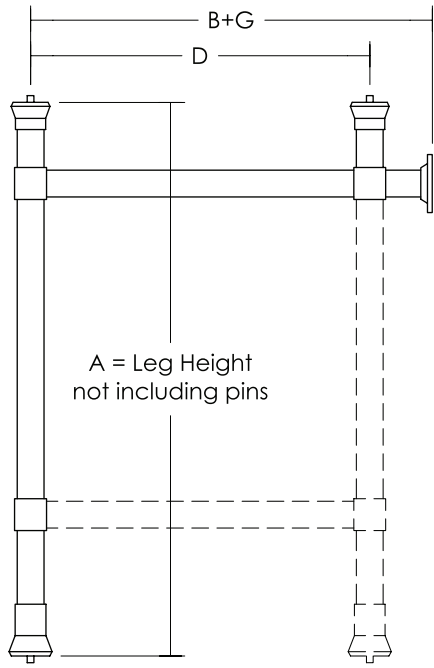


Figure 14

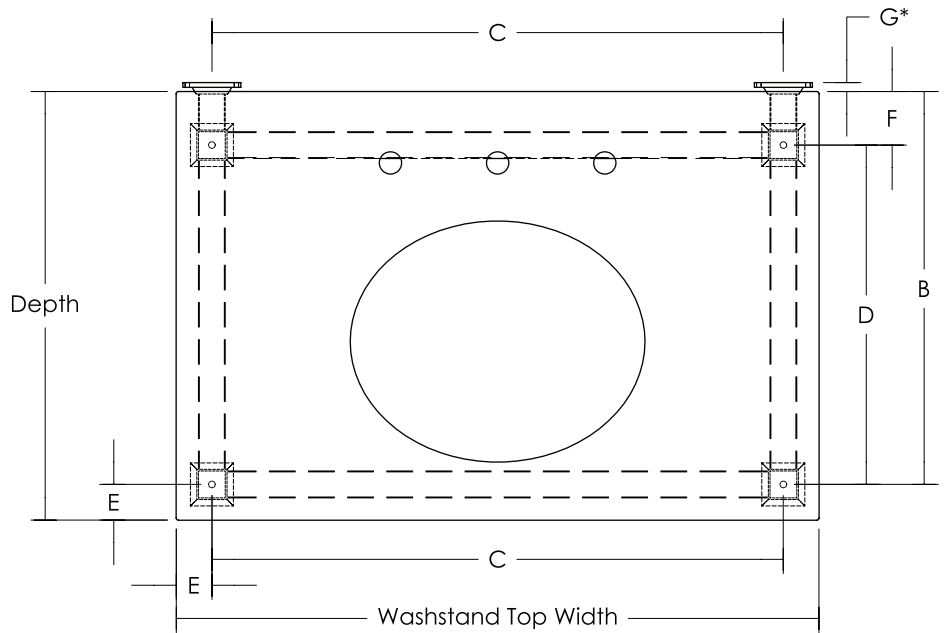
For more information, please see:

http://www.urbanarchaeology.com/washstands/base/MetropolitanBase_1Legs.html

http://www.urbanarchaeology.com/washstands/base/MetropolitanBase_1.5Legs.html

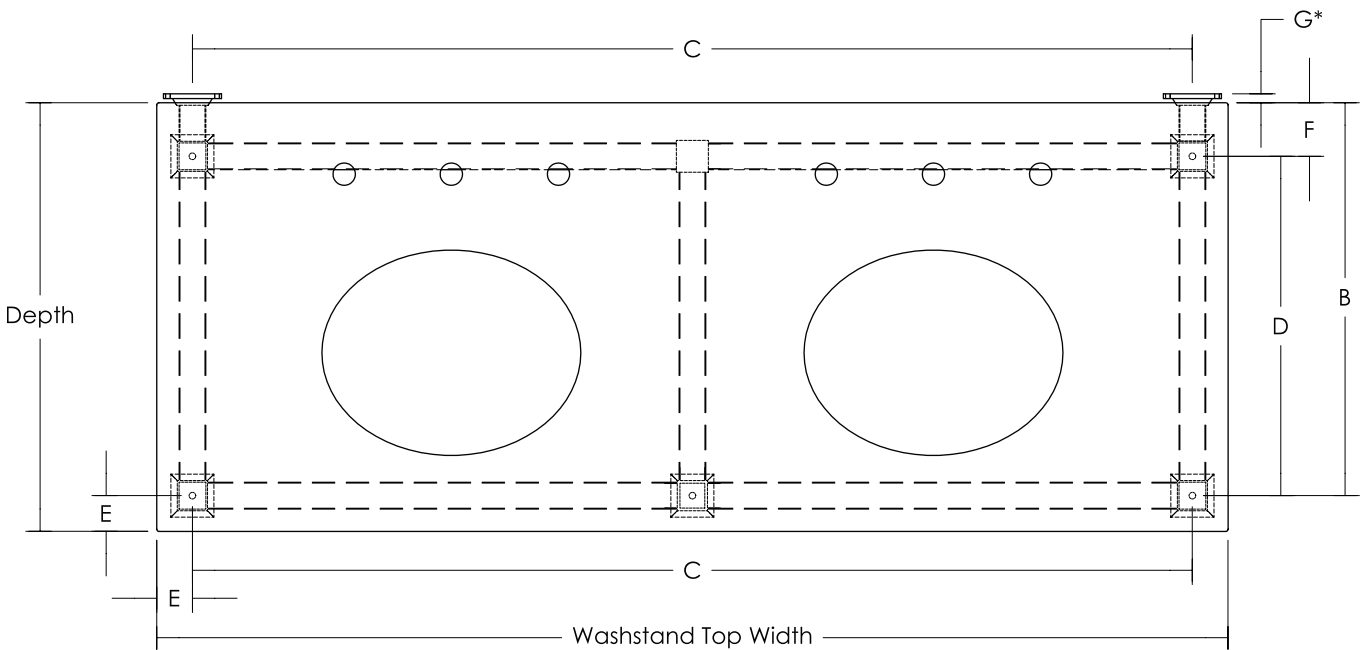


Leg Assembly from Side



Washstand Top Width

2 & 4 Leg Washstand



Washstand Top Width

3 & 5 Leg Washstand

* Note: G may be zero for your particular washstand assembly. Standard washstand top is 24" deep and has 1/2" gap G.