

**Lenox Cabinet Large — Installation Option B**

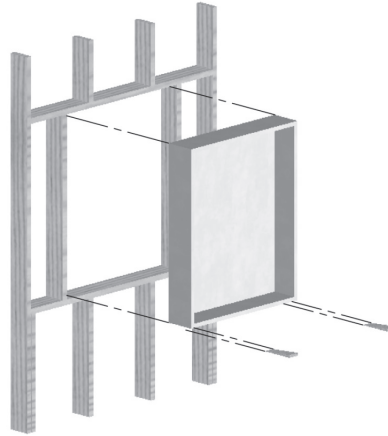
Lenox Medicine Cabinet

**Installation Option B**

Install Marble Box flush with backer board

Wall Finish: Tile or Slab 3/4" thick max.

1. Marble Box is to be installed in a studded wall framed to receive the box. Rough opening in studded frame should be 1/2" larger than the box.

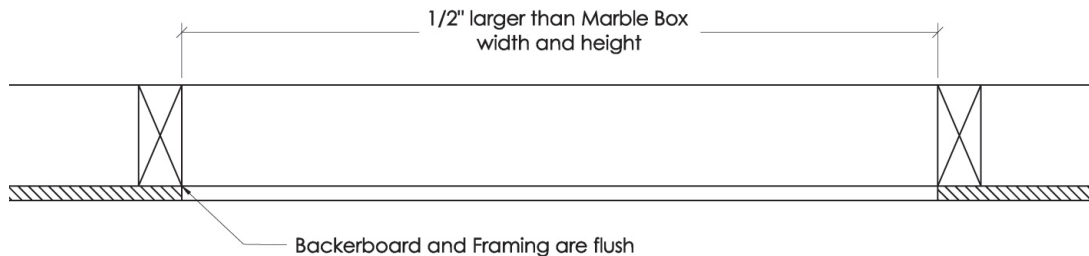


Box Outside Dims:  
31 7/8" H x 25 3/4" W  
Box Thickness: 4" or 5 1/2"

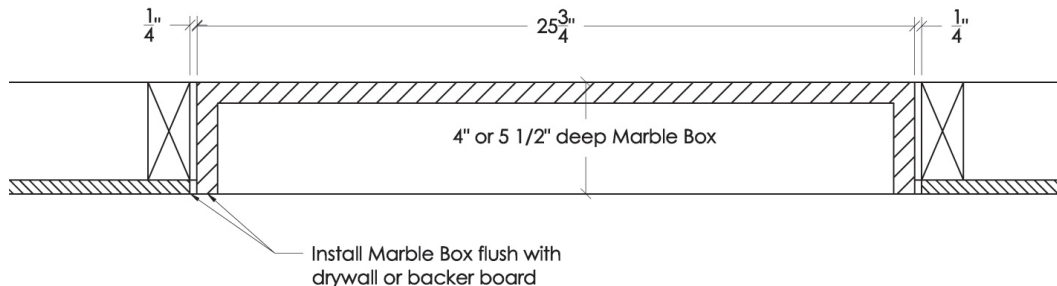
Studded Frame opening:  
32 3/8" x 26 1/4"

Level box with shims at corners only!  
**Using shims at center may crack marble.**

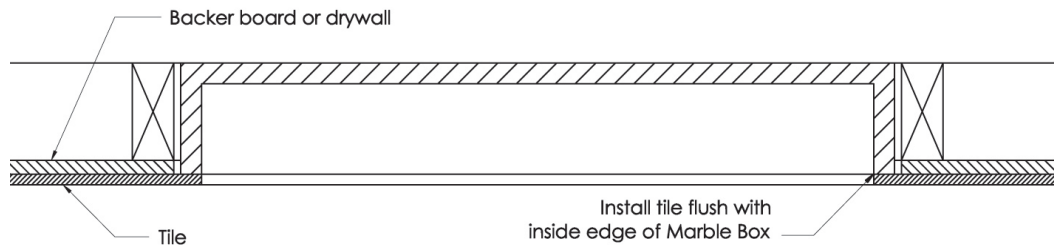
2. Install Backer Board flush with edge of framed opening. Backer board cutout dimensions are 1/2" larger than the outside dimensions of the Marble Box.



3. Set the Marble Box in the wall so that the front edge of box is flush with the backer board. Use construction adhesive that will provide 20 minutes of work time. Level the box with shims at the corners only. See sketch in Step 1.



4. Install tile over the edge of the Marble Box.



5. There is a ball-catch on the Lenox frame, which secures the door. For the catch to operate properly, a notch must be ground into the tile or drywall prior to frame installation. (See Fig 5.1) In order to mark the correct location for the notch, temporarily insert the Lenox Frame into the opening and mark the ball catch mechanism location. Clearance for the final shimming of the frame should be considered when positioning the notch. After marking the position, remove the Lenox frame.

Next, carefully cut the notch, making sure that the Lenox frame will cover the notch at final installation. Since the notch must allow the catch to function properly, when the door opens and closes, it may be necessary to slightly undercut the back end of the notch for clearance with the ball catch mechanism. (See Fig 5.2 & 5.3)

Do not cut the notch too large, or the Lenox frame will not cover the hole.

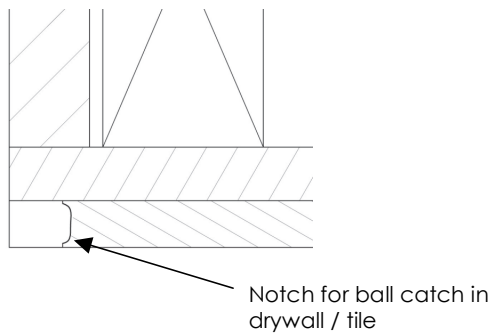


Fig 5.1

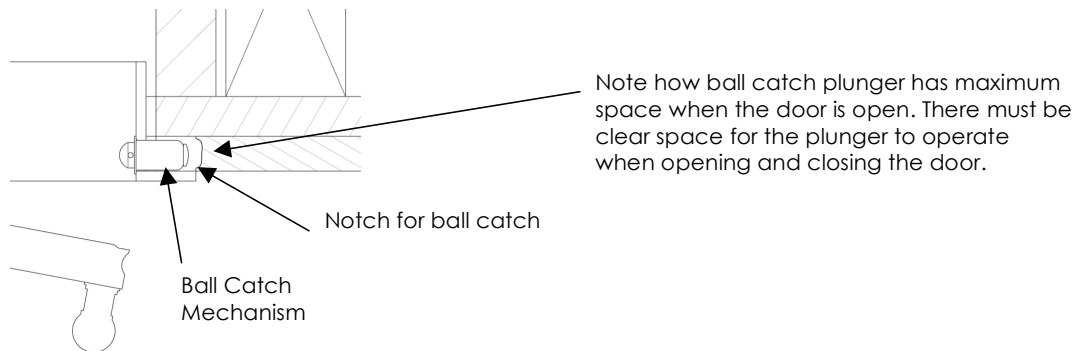
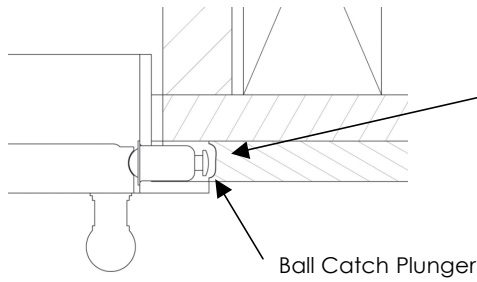


Fig 5.2 Door Open



Note how ball catch plunger projects towards drywall / tile when opening and closing the door. There must be clear space for this or else the frame may be damaged.

Fig 5.3 Door Closed

7. Go to section Installing Cabinet Frame.