

Assembly Instructions for City Base (UA2821 SL)

These instructions refer to drawings on Page 3 of the instructions. Please review those drawings before starting the installation. The important dimensions are summarized to the right.

Important Dimensions:

- A. Leg height minus pins.
- B. Distance between the slot centerlines on the sink brackets.
- C. Distance between the leg pins. Also the distance between the wall flange centerlines.
- D. Distance from the front leg pin centerlines to the wall.
- E. Pin centerlines to the front & side edges of the washstand top.

Preparation

Preparation of the wall where the sink will be attached, proper attachment of the sink to the wall, and proper installation of leg pins into holes in the floor are critical for safe installation of the sink assembly. Since there are different circumstances that can be encountered during installation, these installation Instructions cannot cover every circumstance or condition. It is the responsibility of the installer to insure that the sink assembly is properly and safely installed.

Wall & Floor Preparation:

The wall must be able to support the weight of the sink assembly. It is recommended that blocking be installed behind the wall, securely attached to the wall framing, that will allow the sink assembly to be attached firmly to the wall.

THE FLOOR MUST BE LEVEL or the washstand must be installed level when installing the legs.

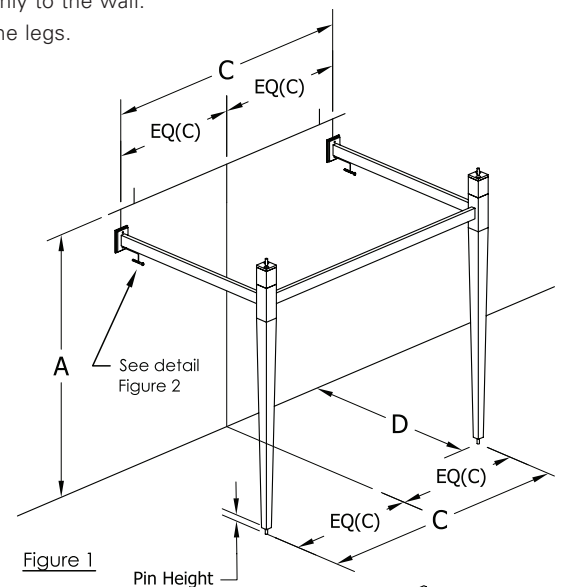
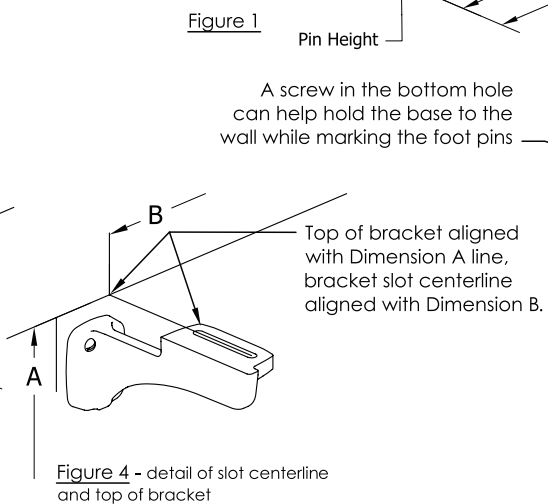
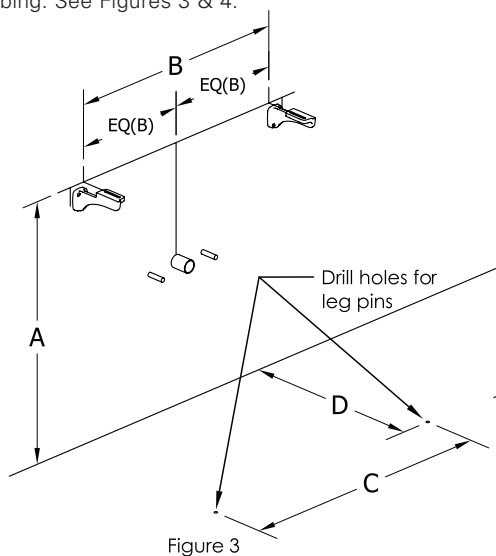
Installation Steps:

Step 1: Mark the Foot Pin Locations

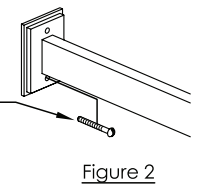
Set the base frame assembly against the wall plumb and level in position, centered about the plumbing fittings. The base assembly will be raised up off the floor by the Pin Height for this step. See Figure 1, 2 & 3. Mark the leg pin locations and the wall flange centerlines on the wall, Dimensions C & D. Remove the base assembly and drill the foot pin holes in the floor. **Do Not Skip This Step. Do Not Cut Off The Leg Pins.** It is critical for safety and stability that the leg pins sit into holes in the floor.

Step 2: Attach the Sink Brackets to the wall.

Install the sink brackets on the wall at Dimension A, with the top surface of the sink brackets at Dimension A, and with the 2 bracket slots centered between Dimension B, centered over the plumbing. See Figures 3 & 4.



A screw in the bottom hole can help hold the base to the wall while marking the foot pins



Installation Steps (Continued):

Step 3: Fasten Base to Wall

Set the base assembly in position with the leg pins in the holes in the floor. Make sure the base assembly is level at the top caps. Attach the base wall flanges to the wall with screws. See Figures 5 & 6. It may be helpful to mark the flange holes with the leg pins seated in the holes in the floor, then remove the base to pre-drill the wall flange screw holes. Insure the base assembly is level.

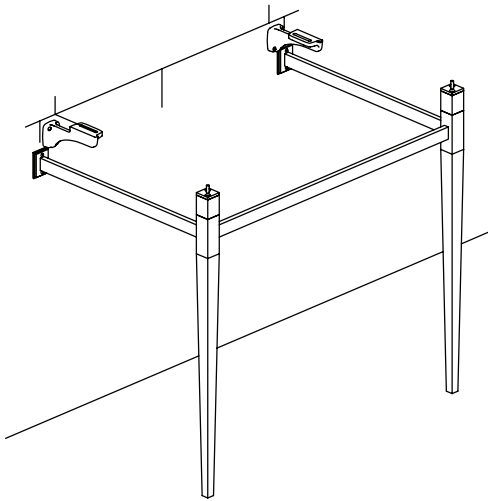


Figure 5

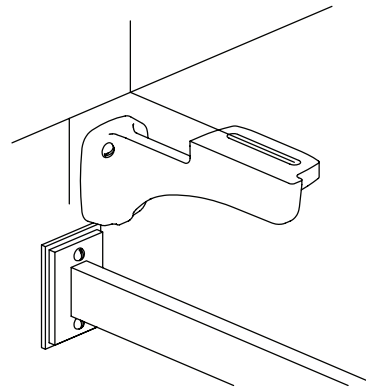


Figure 6

Step 4: Attach the Washstand Top

Attach the washstand top to the base assembly, making sure that the leg top cap pins seat into the holes in the washstand top, and that the 2 studs in the washstand top seat into the slots in the sink brackets. Insure the washstand top is level. Attach the hex nuts to the washstand top studs to secure the top to the sink brackets. See Figure 7 & 8.

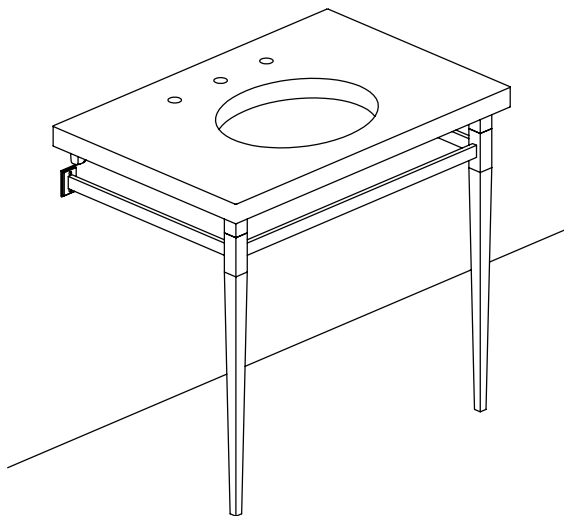


Figure 7

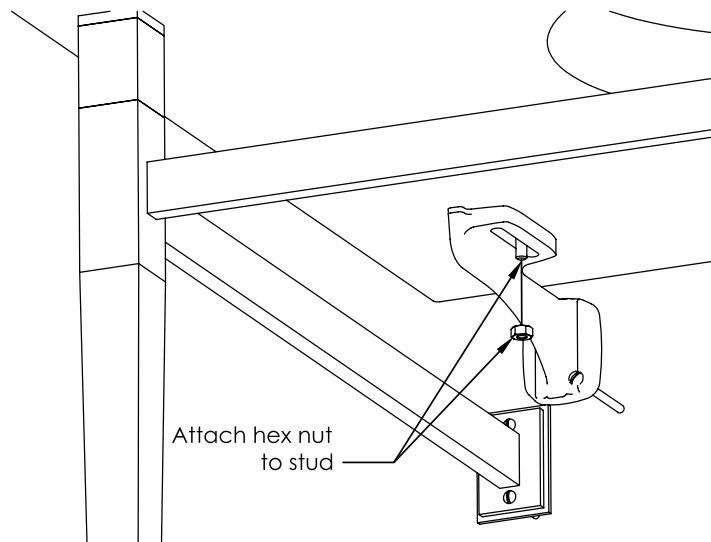
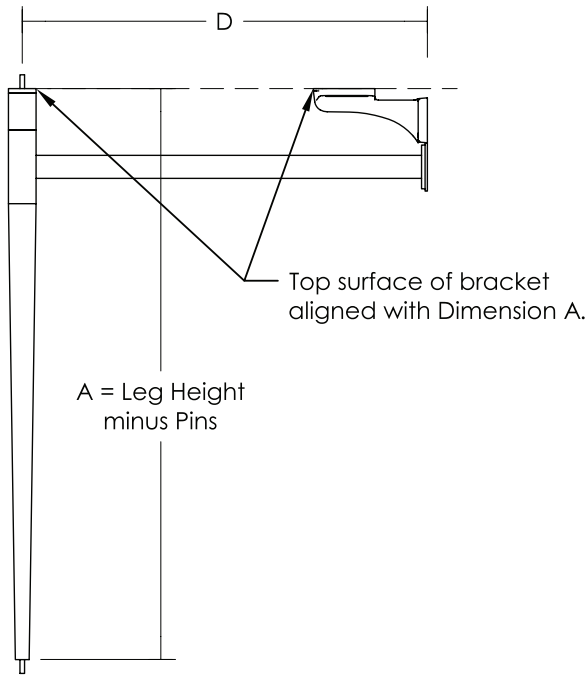


Figure 8

For more information, please see: <http://www.urbanarchaeology.com/washstands/base/CityBase.html>



Base Assy Side View

