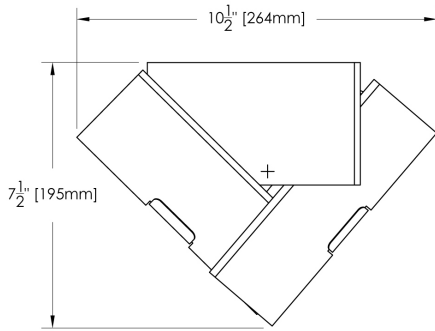
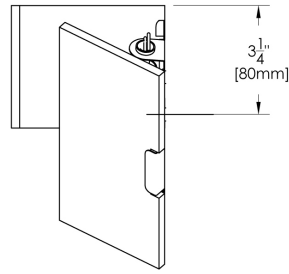
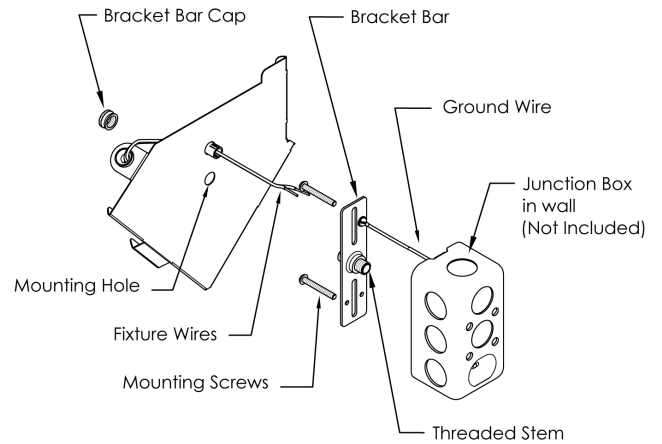


Assembly Instructions for Chareau Style Sconce [Right] (UA0004-R IS)


Front View
Alabaster plates for Right sconce.



Side View


Installation Instructions:

- Insure all power to the circuit is off.
- Unscrew Bracket Bar Cap and remove the Bracket Bar and Threaded Stem.
- Screw the Bracket Bar with stem to the Junction Box in the wall with the Mounting Screws and connect the Ground Wire. (Junction Box is not included with any UA product.)
- Connect Fixture Wires from socket to building wiring at Junction Box
- Slide fixture over the Threaded Stem at the Mounting Hole and tighten the Bracket Bar Cap onto the Threaded Stem until the fixture is flush to the wall.
- Attach alabaster plates. (Note final dimensions may change depending on alabaster positions.)

Warning:

This product must be installed in accordance with the applicable installation code by a person familiar with the construction and operation of the product and the hazards involved.

Consult a qualified electrician.

CAUTION: RISK OF FIRE.