

Brandt Leaf Sconce with Alabaster Shades


**Brandt Leaf Sconce**

UA0071 IS


- \$1,815 Polished Brass
- \$2,035 Polished Nickel, Green Patina\*, Brown Patina\*
- \$2,195 Antique Brass\*, Satin Nickel\*, Light Pewter\*  
Statuary Brown [gloss or matte]\*  
Statuary Black [gloss or matte]\*
- \$2,390 Polished Chrome  
Black Nickel [gloss or matte]\*
- Powder Coated Colors\* - Call for pricing

\* Custom finishes not returnable

Note: Our metals are living finishes; they will change over time and will never rust

 Torpedo Shape  
Candelabra Base  
4.5w LED x 2 (60w equivalent)

Note: Must use an LED.

 Listed for use in DRY environments

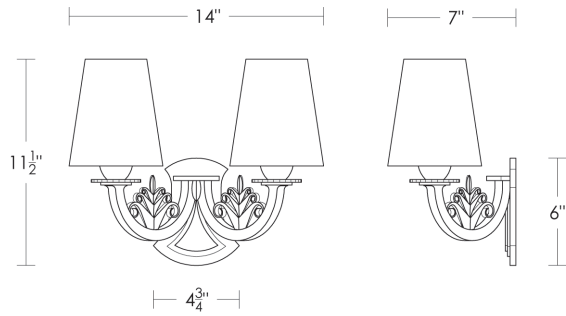
Options: Alabaster Shade available in white or champagne. Please specify.

Notes: Hues & veining may vary.

Moving bulbs closer than 1" to alabaster will cause surface burns.

\$490ea Replacement Alabaster Tulip Shade [2x]  
UA5773 RA

Related Items: Brandt Leaf Sconce  
Fabric Shade UA0071-S IS  
ADA UA0071-A IS



**Brandt Leaf Sconce [Fabric Shade]**


UA0071-S IS

- \$1,125 Polished Brass
- \$1,345 Polished Nickel, Green Patina\*, Brown Patina\*
- \$1,505 Antique Brass\*, Satin Nickel\*, Light Pewter\*  
Statuary Brown [gloss or matte]\*  
Statuary Black [gloss or matte]\*
- \$1,700 Polished Chrome  
Black Nickel [gloss or matte]\*


Powder Coated Colors\* - Call for pricing


**\*** Custom finishes not returnable

Note: Our metals are living finishes; they will change over time and will never rust

 Torpedo Shape  
Candelabra Base  
4.5w LED x 2 (60w equivalent)

Note: Consider using an LED.

 Listed for use in DRY environments

 Fabric Shades sold separately

Related Items: Brandt Leaf Sconce  
Standard UA0071 IS  
ADA UA0071-A IS