

Yale Club Metal Towel Bar 1 1/2"Ø

UA2009-M BA Series

- Price 1 Polished Brass
- Price 2 Polished Nickel, Green Patina*, Brown Patina*
- Price 3 Antique Brass*, Satin Nickel*, Light Pewter*
Statuary Brown [gloss or matte]*
Statuary Black [gloss or matte]*
- Price 4 Polished Chrome
Black Nickel [gloss or matte]*

***** Custom finishes not returnable

Notes: Our metals are living finishes; they will change overtime and will never rust

Towel bar widths are center-to-center of mounting brackets.

48" towel bar requires a center bracket.

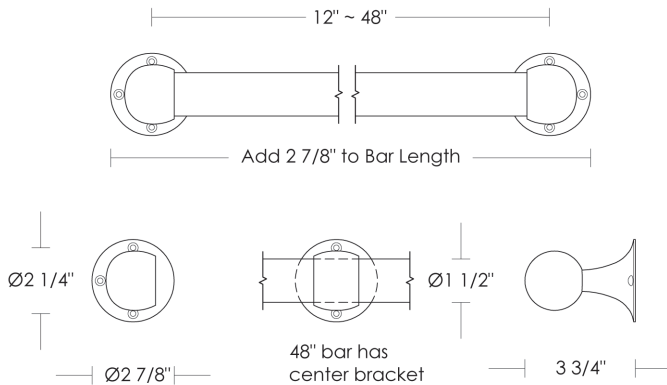
Metal towel bars are not returnable.

1 1/2"Ø Replacement Metal Towel Bar

Length	Price 1	Price 2	Price 3	Price 4
12"w	\$240	\$280	\$320	\$345
18"w	\$270	\$310	\$350	\$380
24"w	\$300	\$340	\$390	\$420
36"w	\$360	\$400	\$440	\$480
48"w	\$420	\$460	\$505	\$545

1 1/2" Replacement Bracket

Center	UA2009-C RP
End	UA2009-E RP
\$95ea	Price 1
\$125ea	Price 2
\$140ea	Price 3
\$155ea	Price 4



Yale Club Metal Towel Bar	Overall Length	Price 1	Price 2	Price 3	Price 4
1 1/2" x 12"w UA2009-G12 BA	14 7/8"w	\$320	\$380	\$425	\$475
1 1/2" x 18"w UA2009-G18 BA	20 7/8"w	\$345	\$435	\$480	\$525
1 1/2" x 24"w UA2009-G24 BA	26 7/8"w	\$390	\$480	\$530	\$575
1 1/2" x 36"w UA2009-G36 BA	38 7/8"w	\$490	\$580	\$620	\$660
1 1/2" x 48"w UA2009-G48 BA	50 7/8"w	\$580	\$610	\$695	\$750