

Yale Club Glass Towel Bar 1 1/2"Ø

UA2009 BA Series

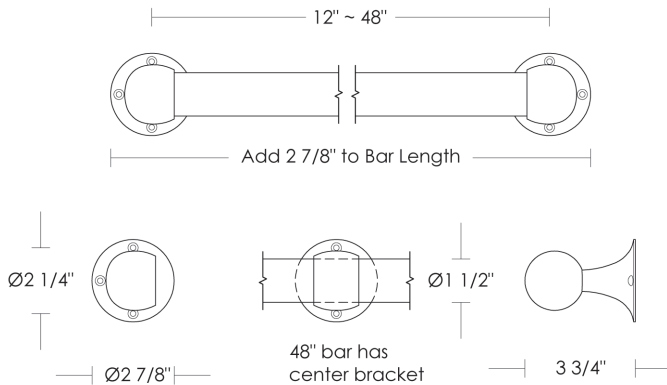
- Price 1 Polished Brass
- Price 2 Polished Nickel, Green Patina*, Brown Patina*
- Price 3 Antique Brass*, Satin Nickel*, Light Pewter*
Statuary Brown [gloss or matte]*
Statuary Black [gloss or matte]*
- Price 4 Polished Chrome
Black Nickel [gloss or matte]*

***** Custom finishes not returnable

Notes: Our metals are living finishes; they will change overtime and will never rust

Towel bar widths are center-to-center of mounting brackets.

48" towel bar requires a center bracket.



1 1/2"Ø Replacement Glass Towel Bar

\$95	12"w	UA6103-12 BG
\$110	18"w	UA6103-18 BG
\$140	24"w	UA6103-24 BG
\$190	36"w	UA6103-36 BG
\$250	48"w	UA6103-48 BG

1 1/2" Replacement Bracket

	Center	UA2009-C RP
	End	UA2009-E RP
\$95ea	Price 1	
\$125ea	Price 2	
\$140ea	Price 3	
\$155ea	Price 4	

Yale Club Glass Towel Bar	Overall Length	Price 1	Price 2	Price 3	Price 4
1 1/2" x 12"w UA2009-G12 BA	14 7/8"w	\$265	\$325	\$370	\$385
1 1/2" x 18"w UA2009-G18 BA	20 7/8"w	\$295	\$380	\$425	\$440
1 1/2" x 24"w UA2009-G24 BA	26 7/8"w	\$345	\$405	\$480	\$490
1 1/2" x 36"w UA2009-G36 BA	38 7/8"w	\$400	\$490	\$535	\$560
1 1/2" x 48"w UA2009-G48 BA	50 7/8"w	\$510	\$600	\$640	\$660