

Victorian 4 Leg Base

UA02797-SL

Wall Preparation

Preparation of the wall where the sink will be attached, proper attachment of the sink to the wall, and proper installation of leg pins into holes in the floor are critical for safe installation of the sink assembly. Since there are different circumstances that can be encountered during installation, these installation Instructions cannot cover every condition. It is the responsibility of the installer to insure that the sink assembly is properly and safely installed.

The wall must be able to support the weight of the sink assembly. It is recommended that blocking be installed behind the wall, securely attached to the wall framing, that will allow the sink assembly to be attached firmly to the wall.

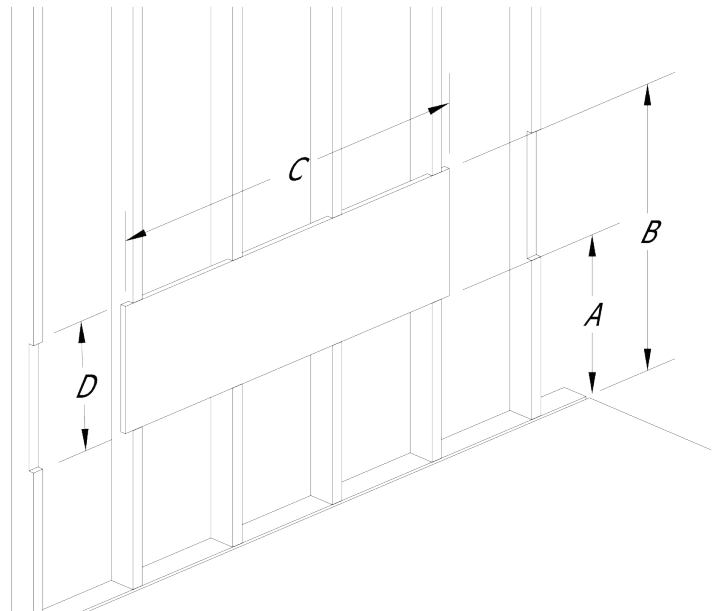
Option 1: Open framed wall where the wallboard has not yet been installed.

Cover the entire wall with 3/4" plywood or notch out the studs and apply a 3/4" plywood that is flush with the studs, sized to the dimensions indicated. Then cover the wall with wallboard and desired finish.

A = 20" above floor

B = 3" higher than the bottom of the washstand top

C = length is at least 6" longer than the washstand top width.



Option 2: Finished wall where you will attach a mounting board to the wall after wallboard is installed.

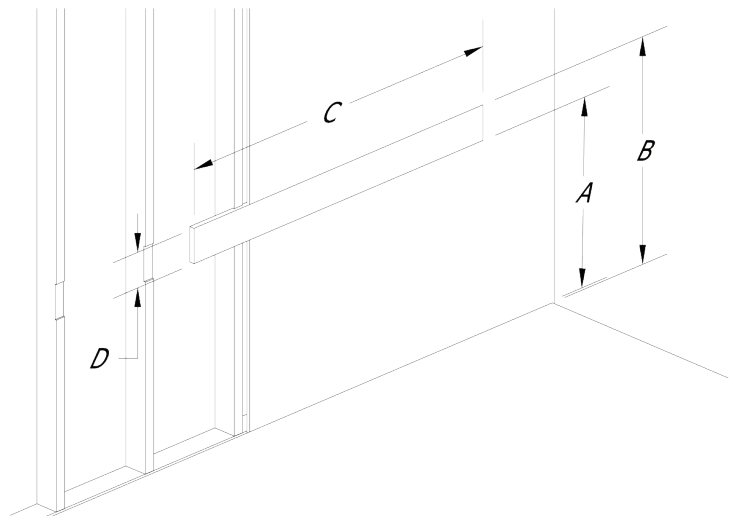
Cut out the existing wallboard to fit the 3/4" plywood mounting board. Notch the studs or shim the board so that it is flush with the finished wallboard. Finish as the rest of the wall.

A = height from floor to bottom of washstand top minus half width of mounting board (2 1/2").

B = 1" above bottom of washstand top.

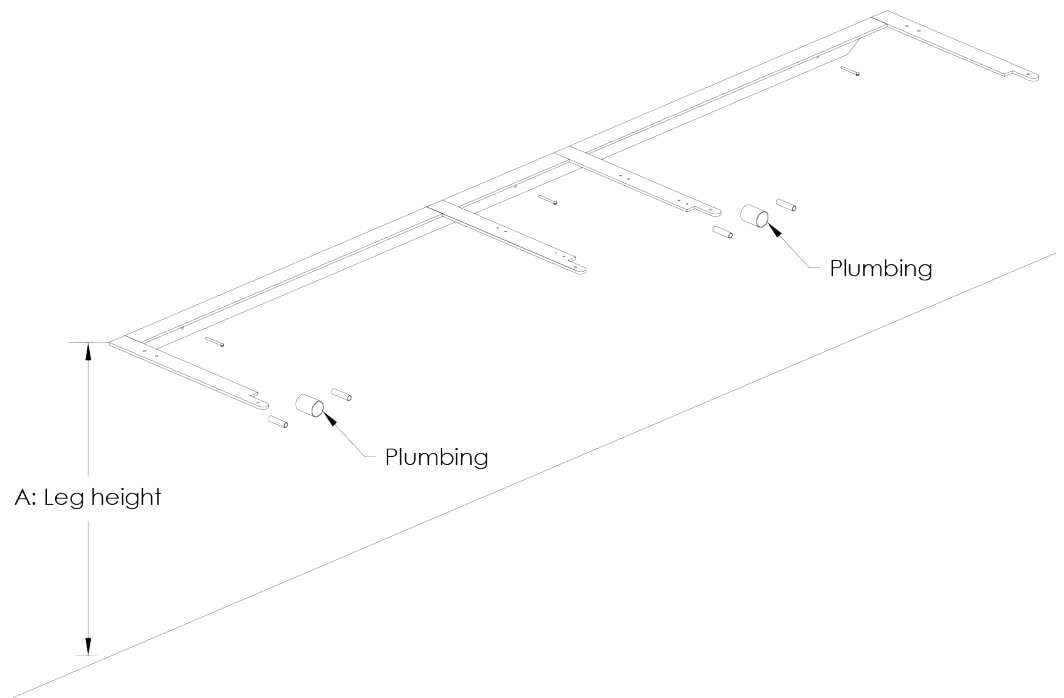
C = length of washstand top

D = width of mounting board = 5"

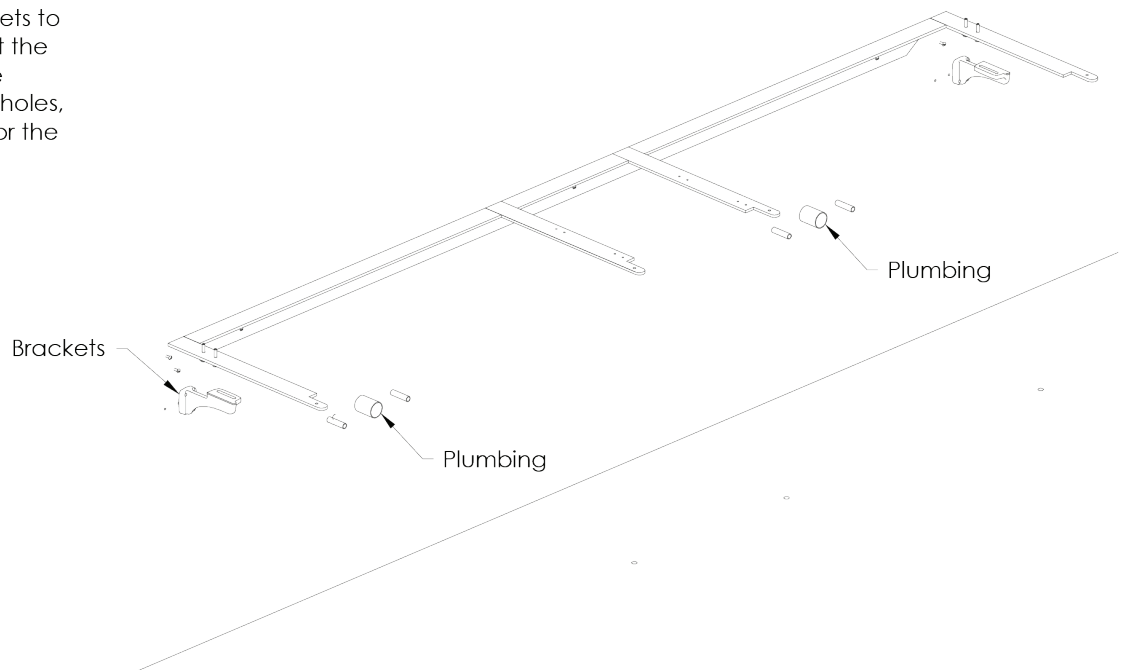


Installation Steps:

Step 1: Redrill holes for the steel frame. Installing the frame at the height A, the distance from the floor to the underside of the washstand top, with the frame centered over the plumbing.

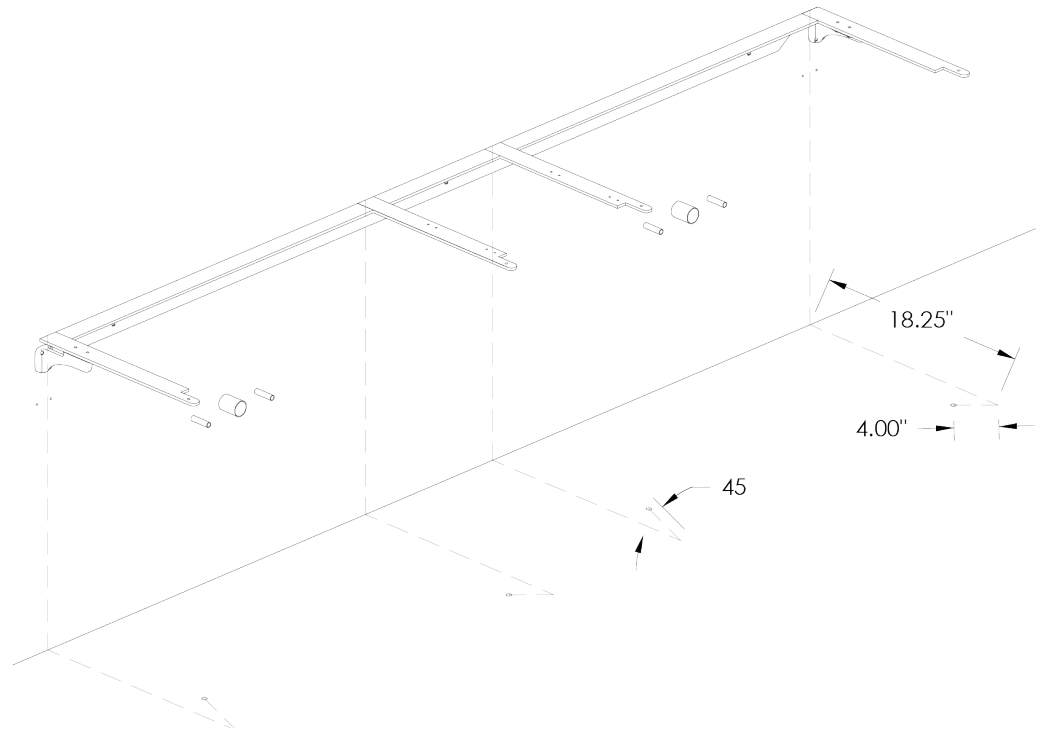


Step 2: Install the brackets to the wall so they support the frame arms. Line up the brackets and mark the holes, then predrill the holes for the screws.

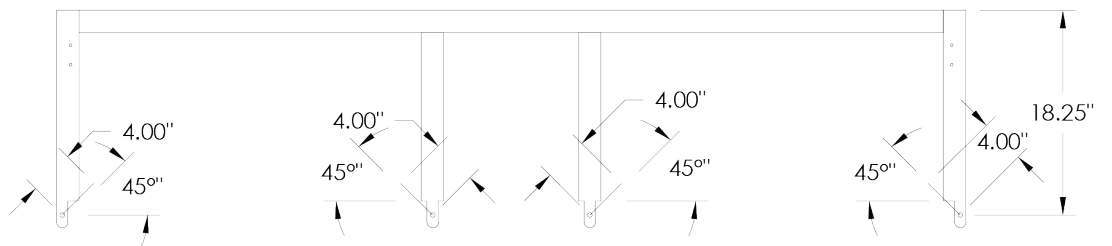


Step 3: Mark the hole locations on the floor for the leg pins. Install masking tape down the wall and across the floor on the frame arm. Then add masking tape at 45° angle. The hole for the leg pin should be 4" from the center of leg to center of pin.

Do not skip this step. Do not cut off the leg pins. The leg pins must seat into holes in the floor for stability and safety. If the floor is not level, inside pin holes. The screws can be raised or covered to make the assembly level.

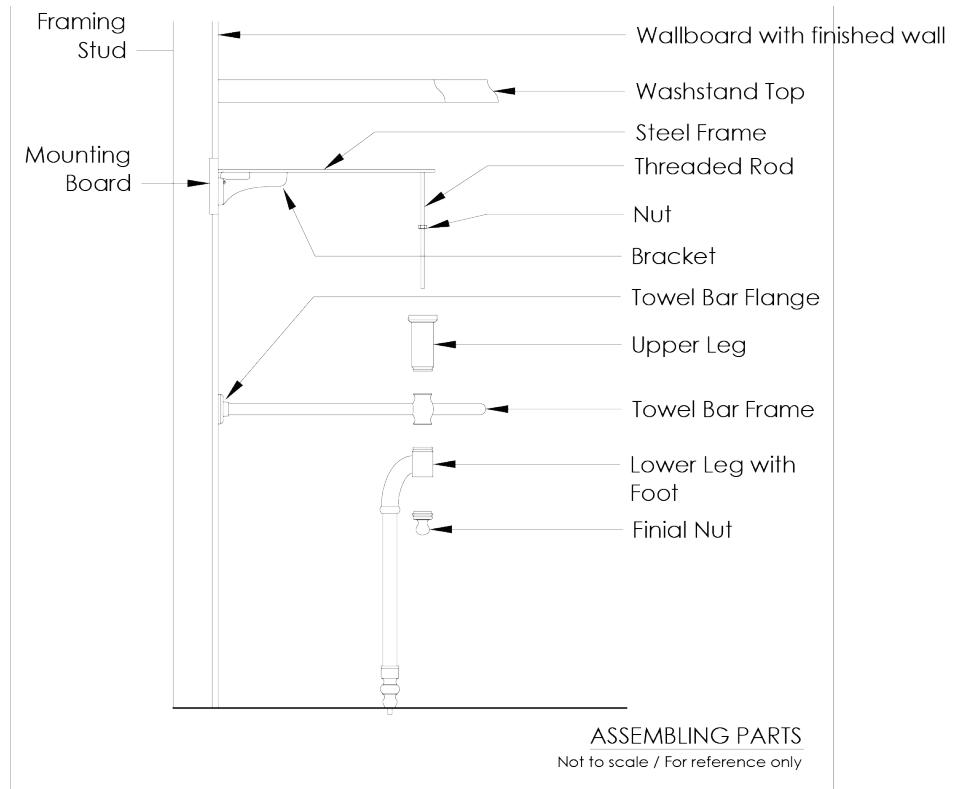


Frame and Leg Pin Hole Location for 4-leg Washstand

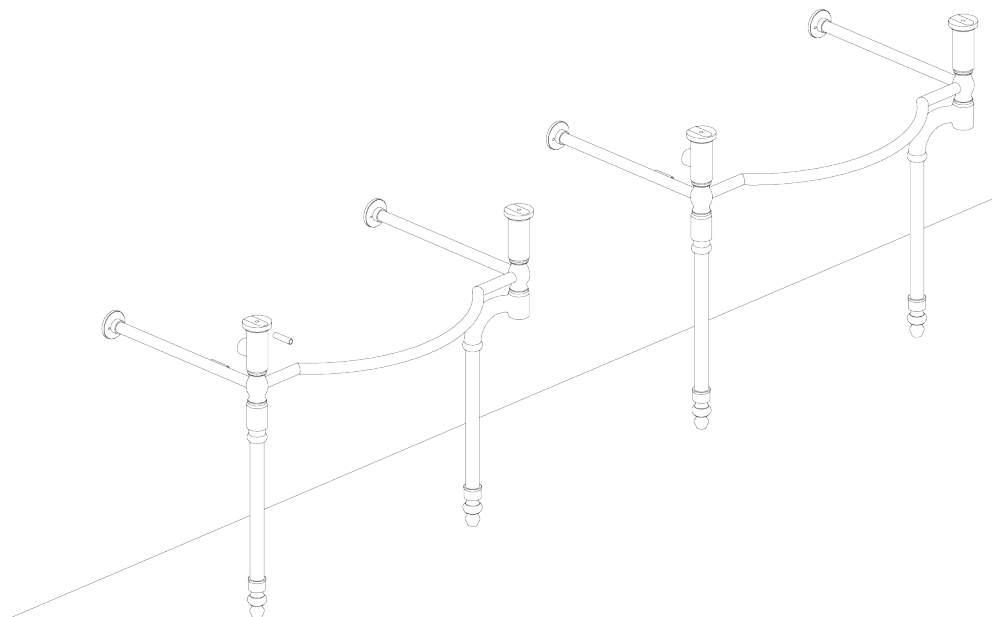


Step 4: Assemble the leg components:

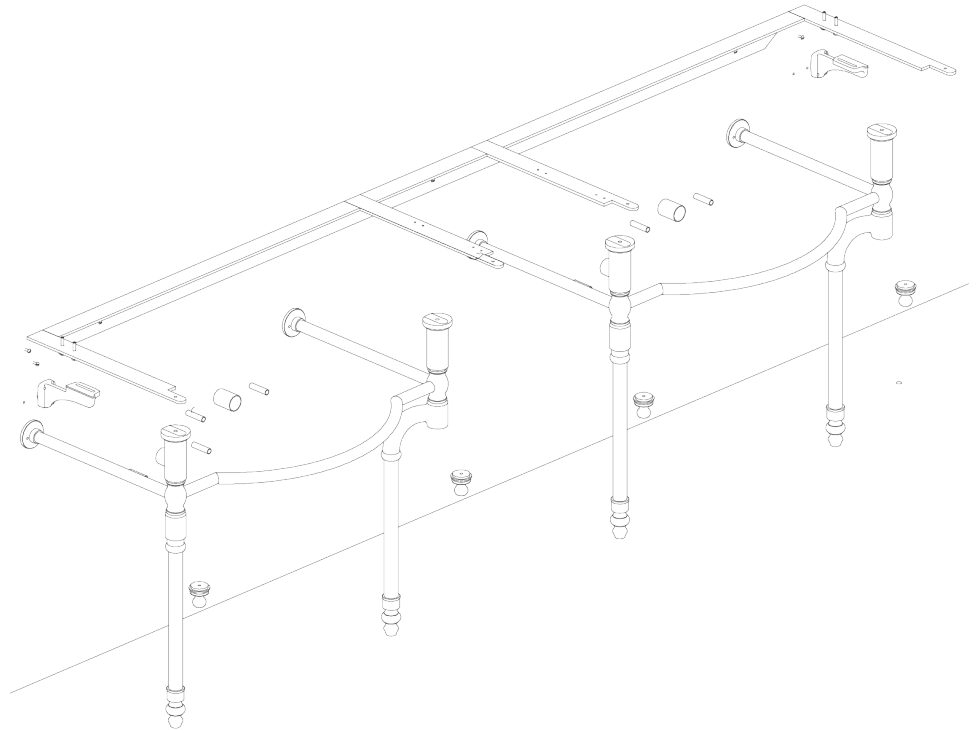
- a. Attached nut to top of threaded rod; it should be no higher than the top of the upper leg.
- b. It is not connected to frame arm.
- c. Slide upper leg over threaded rod.
- d. Slide towel bar frame over threaded rod.
- e. Slide lower leg with foot over threaded rod; attach and tighten final nut at lower leg.



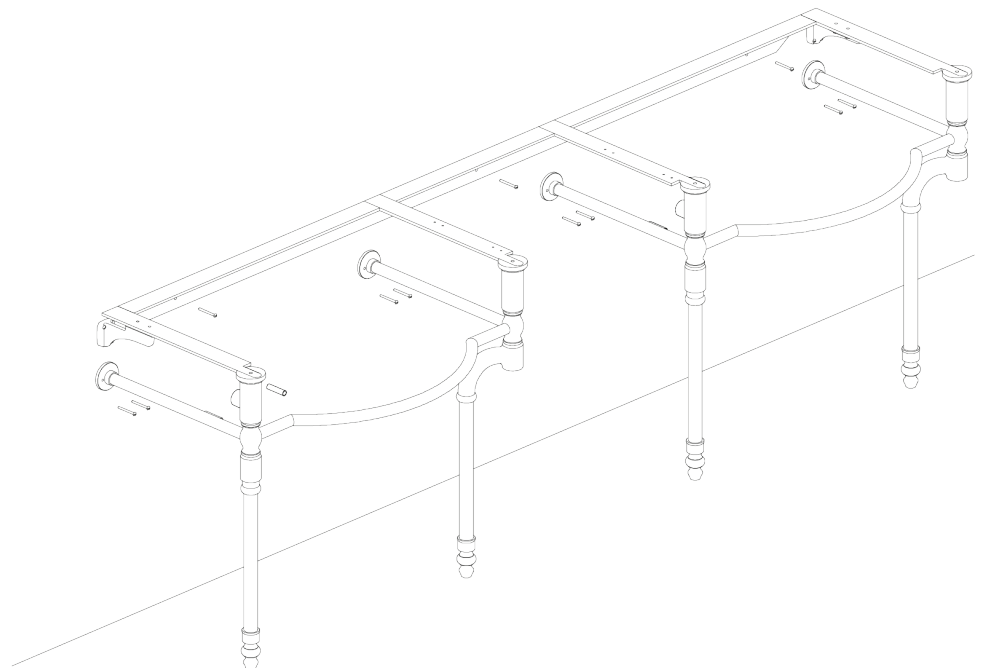
Step 5: Level and plumb the towel bar arm; mark the hole locations of the flanges on the wall for predrilling the location of the flange screws



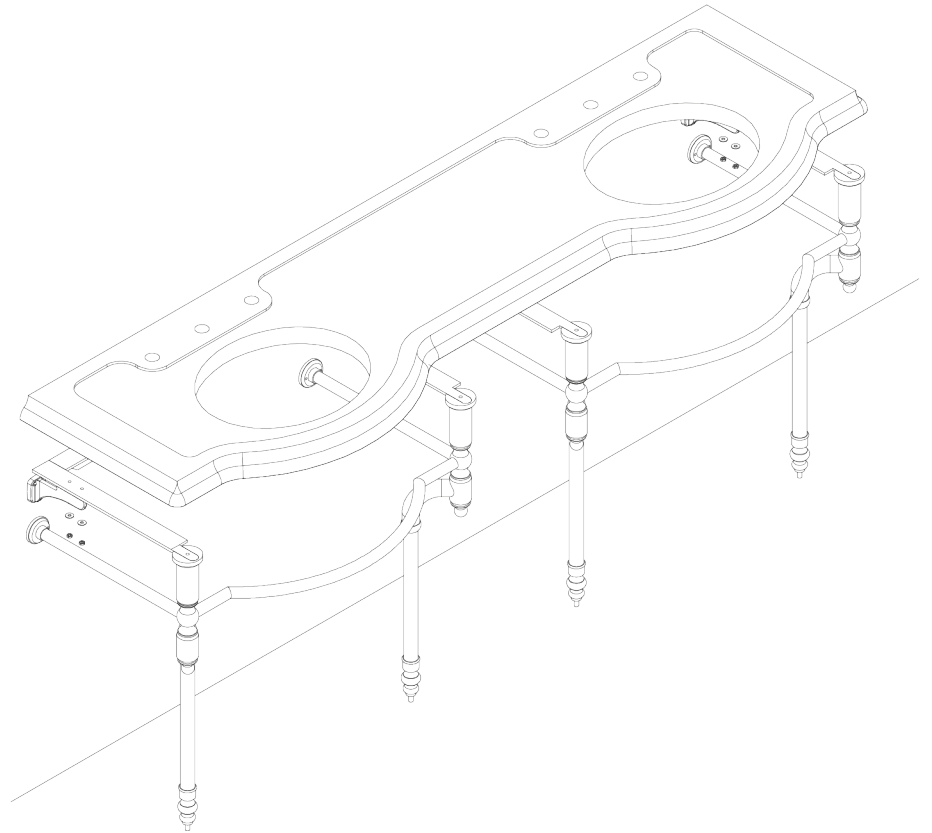
Step 6: Level the entire assembly so the steel frame is flat. The steel frame must be flat or else damage to the washstand top can occur.



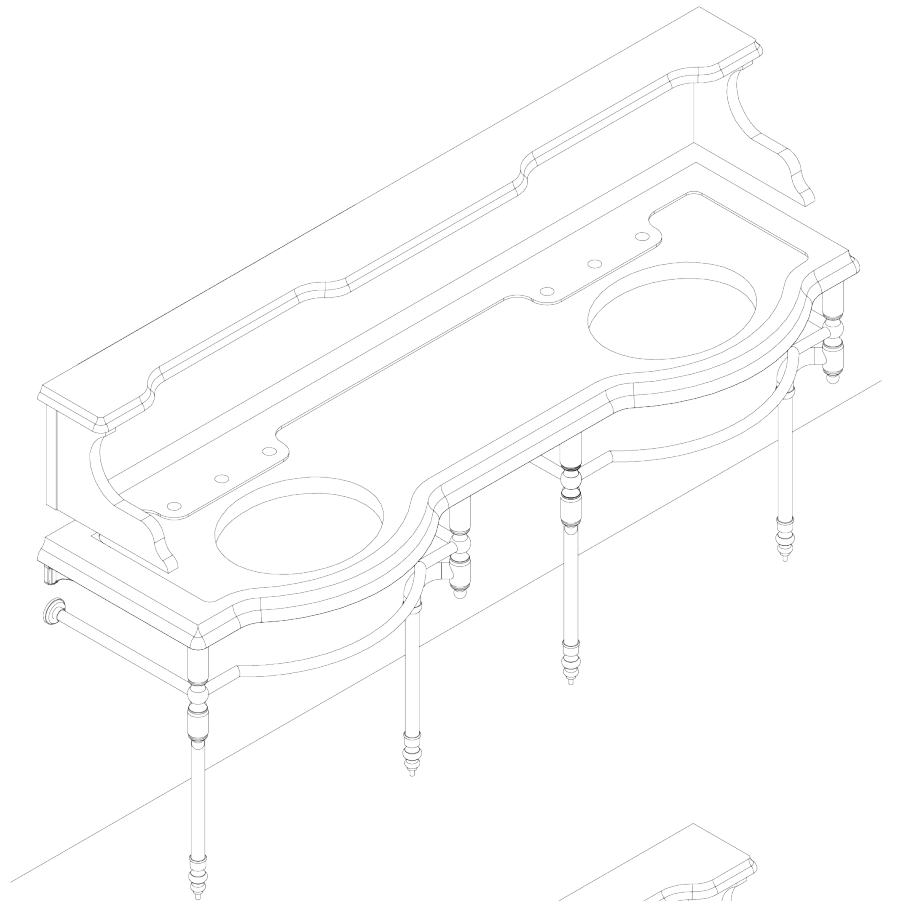
Step 7: Screw all the remaining fasteners into the frame flange and the towel bar wall flanges to firmly attach the assembly to the wall. Recheck that the frame is level.



Step 8: Attach the washstand top to the frame centering it over the frame arms. Use a bit of plaster or silicone to adhere the washstand top to the frame. Immediately wipe up any excess plaster or silicone from the washstand top. Note that the basin should be attached to the washstand prior to installing the top. Basin is not shown in the drawing.



Step 9: Attach the shelf assembly to the washstand top, centering the shelf assembly on the top, flush to the back of the washstand top at the wall. Use a bit of plaster to adhere the washstand top to the frame. Immediately wipe up any excess plaster from the washstand top. Note the basin is not shown in this drawing.



Step 10: For 4-Leg washstand, install drawer hardware to the underside of the frame and install the drawer.

