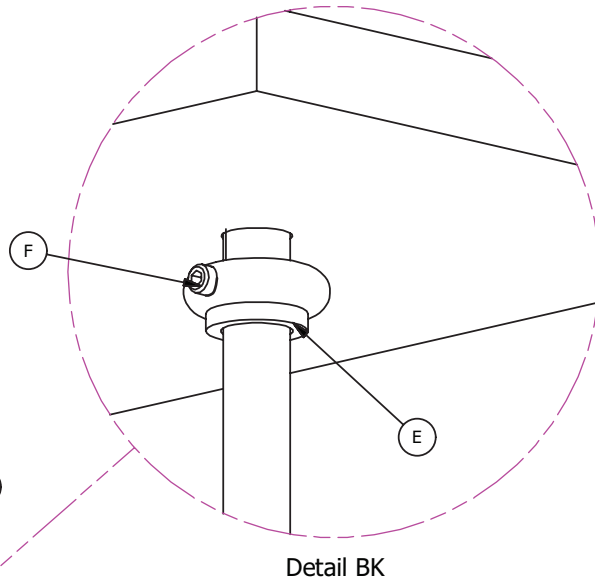
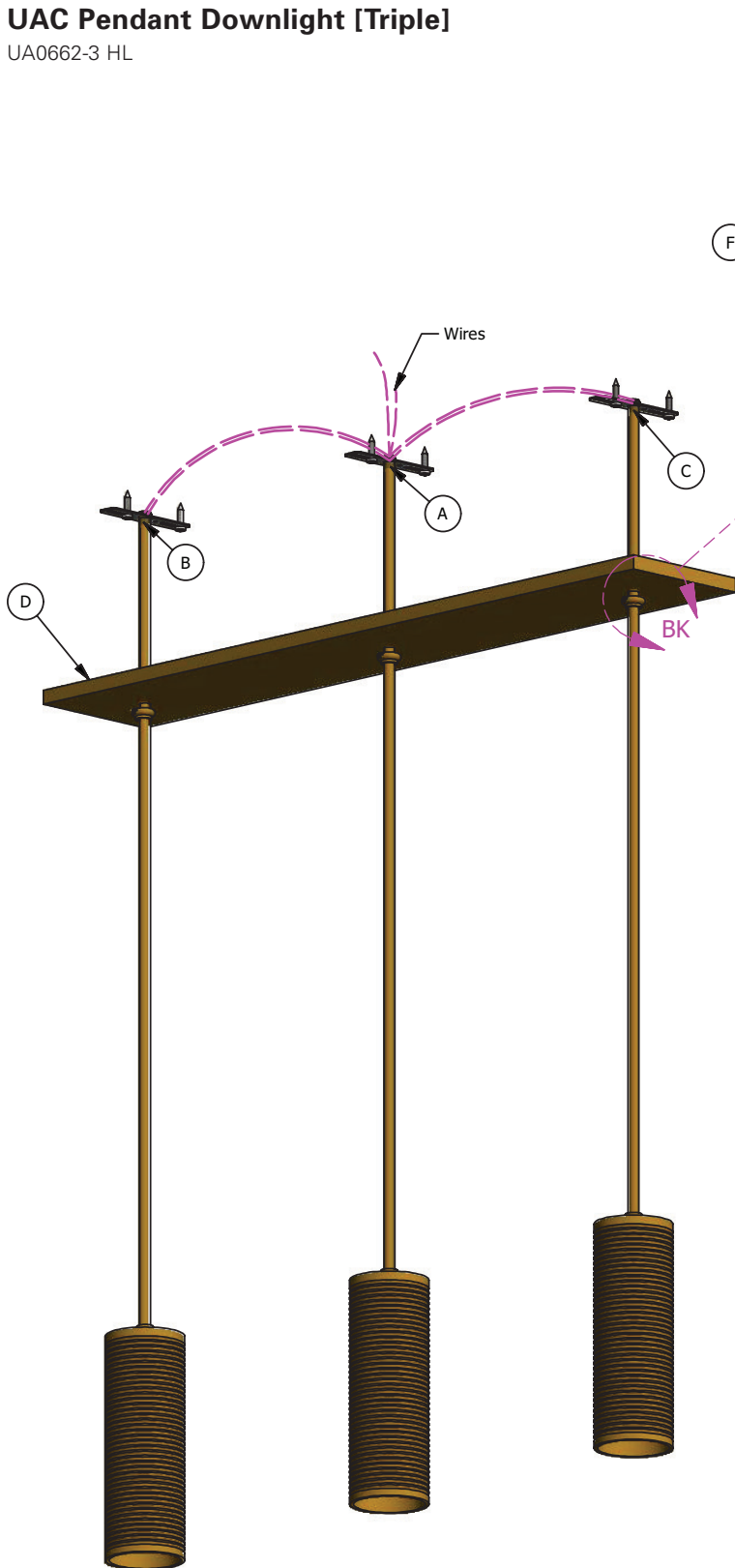


**UAC Pendant Downlight [Triple]**

UA0662-3 HL



1. Connect the wires coming out the tubing (A) to the wires in the junction box (black to black and white to white). Push the wires into the junction box and screw the crossbar to the junction box.
2. Screw the others two crossbars from tubings B and C to the ceiling.
3. Unscrew the set screws (F) from the slip-rings (E) and leave the set screws (F) a little loose.
4. Slide the Canopy (D) up to the top of the tube covering the connections in the junction box and secure the Canopy (D) with the set screw (F) on the slip-ring (E).

**WARNING:**  
 RISK OF FIRE AND ELECTRICAL SHOCK IF IMPROPERLY INSTALLED. MUST BE INSTALLED BY A LICENSED ELECTRICIAN ACCORDING TO INSTRUCTIONS PROVIDED.

**CAUTION:**  
 TURN OFF POWER AT MAIN ELECTRICAL BOX BEFORE INSTALLATION.