

Lenox Cabinet Small/Medium — Installation Option C

Lenox Medicine Cabinet (Small & Medium)

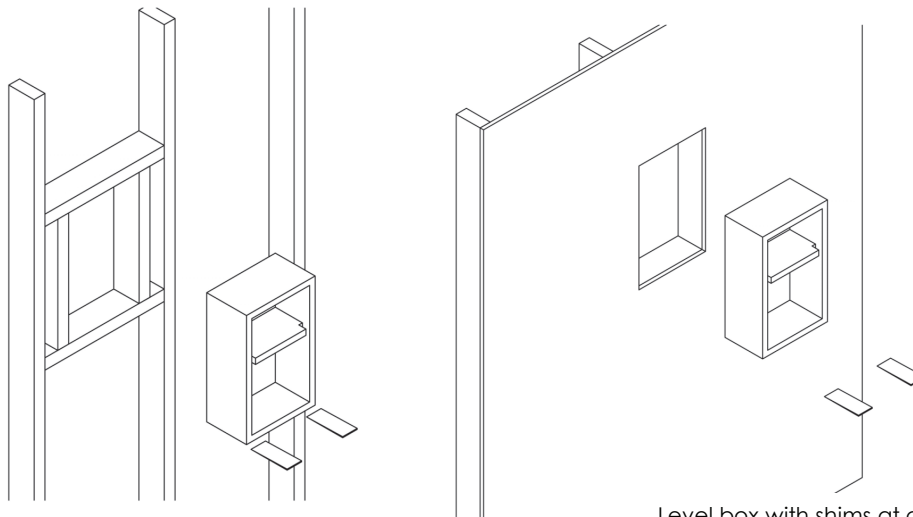
Installation Option C

Rehab with existing drywall & no tile at Lenox cabinet.

Install Marble Box flush with drywall

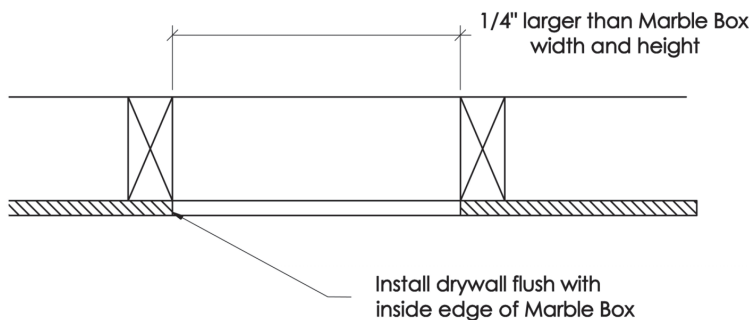
Wall Finish: Paint / Paper

1. Remove existing drywall in order to create framing for Marble Box. Marble Box is to be installed in a studded wall framed to receive the box. Rough opening in studded frame should be 1/4" larger than the box.

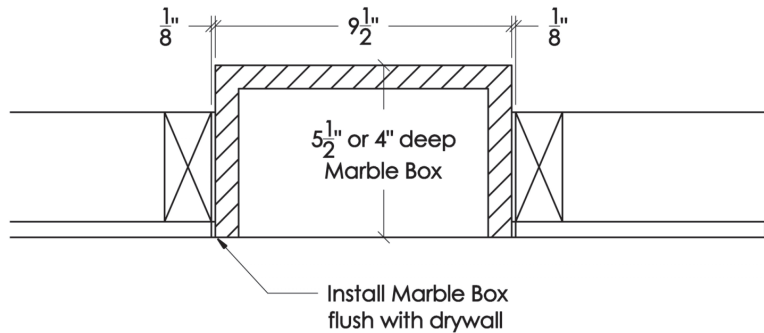


Level box with shims at corners only!
Using shims at center may crack marble.

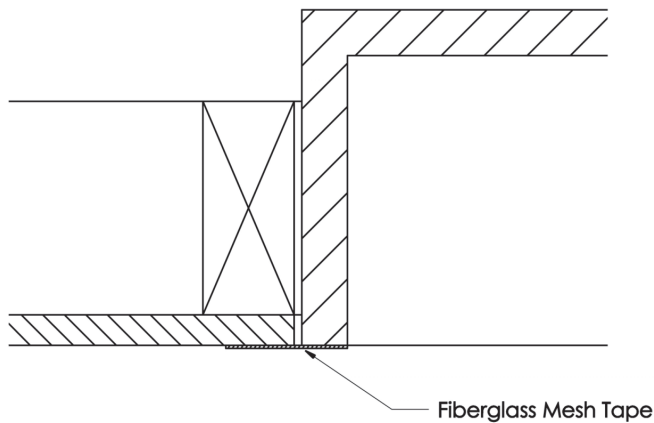
2. Replace drywall flush with edge of framed opening. Drywall cutout dimensions are 1/4" larger than the outside of the Marble Box.



- Set the Marble Box in the wall so that the front edge of box is flush with the drywall. Use construction adhesive that will provide 20 minutes of work time. Level the box with shims at the corners only. See drawing in Step 1.



- Install fiberglass mesh tape over the front of the Marble Box & drywall to cover the gap all around.



- Skim Coat drywall & mesh tape so that it is seamless and smooth.
- There is a ball-catch on the Lenox frame, which secures the door. For the catch to operate properly, a notch must be ground into the edge of the marble box prior to frame installation. (See Fig 6.1) In order to mark the correct location for the notch, temporarily insert the Lenox Frame into the opening and mark the ball catch mechanism location. Clearance for the final shimming of the frame should be considered when positioning the notch. After marking the position, remove the Lenox frame.

Next, carefully cut the notch, making sure that the Lenox frame will cover the notch at final installation. Since the notch must allow the catch to function properly, when the door opens and closes, it may be necessary to slightly undercut the back end of the notch for clearance with the catch mechanism. (See Fig 6.2 & 6.3)

Do not cut the notch too large, or the Lenox frame will not cover the hole.

(See figures Next Page)

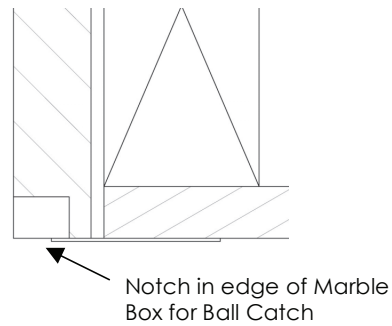


Fig 6.1

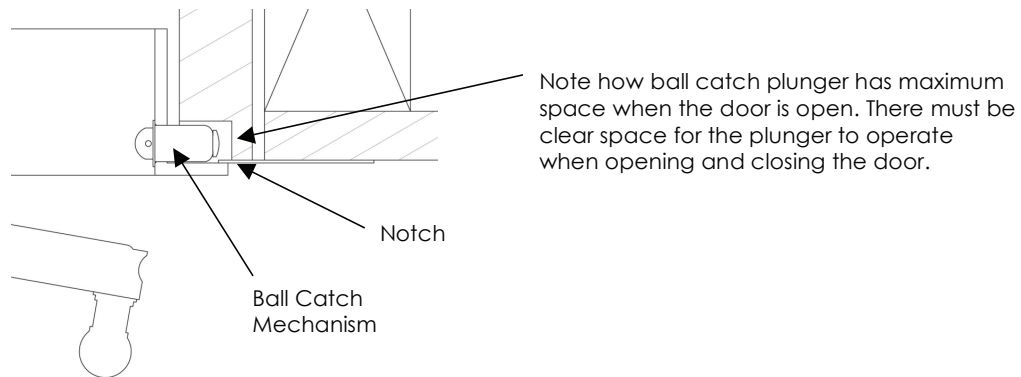


Fig 6.2 Door Open

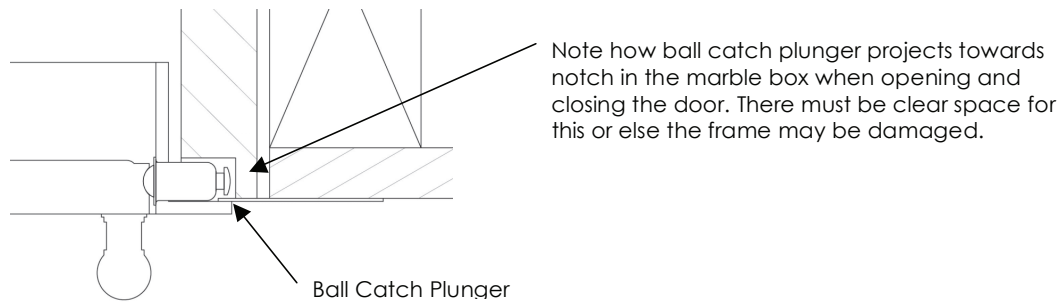


Fig 6.3 Door Closed

7. Touch up tape / skim coat at notch and then paint wall.
8. Go to section [Installing Cabinet Frame](#).