

**Chrysler**

UA0308 EL

**Caution:**

Turn off power at main electrical box before installation.  
**\*DO NOT REMOVE SURGE PROTECTION MODULE**  
 Doing so is in direct violation to UL requirements and will void the warranty of the product.

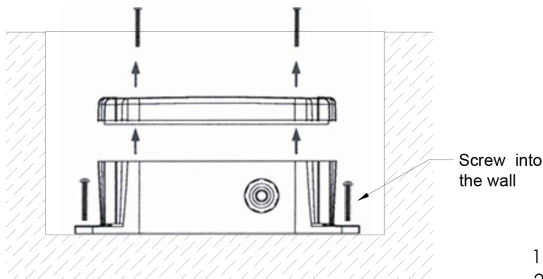


Fig. 1-Water proof Junction Box Side View

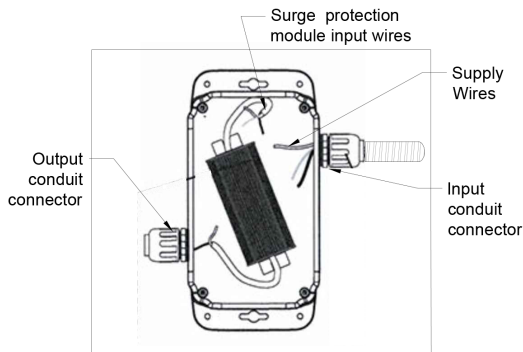


Fig.2 Front Section

## Required Parts for installation:

- NEMA 4X rated Water-proof junction box with surge protector and connectors (included)
- Liquid-tight nonmetallic flexible conduit (not included)
- 5 Wire nuts (not included)

1. Mount waterproof junction box into the wall (fig 1)
2. Unscrew and remove mounting screws and remove lid from waterproof junction box. Save screws for later use. (fig 1)
3. Feed supply wires and liquid-tight nonmetallic flexible conduit into 1/2" INPUT conduit connector. Pre-measure and cut flexible conduit to appropriate length. Tighten 1/2" INPUT flexible conduit connector to secure conduit. (fig 2)
4. Inside waterproof junction box, connect: (fig 2)
  - the hot supply wire (black) to surge protector's hot wire (black)
  - neutral supply wire (white) to surge protector's neutral input wire (white).
  - supply ground wire (green or bare copper) to surge protector's ground input wire (green)
5. Output non metallic flexible conduit- Pre-measure to appropriate length
6. With someone holding the fixture as close to the junction box as possible, Inside waterproof junction box, connect surge protector's :
  - hot output wire (black) to LED strip's hot input wire (black)
  - neutral output wire (white) to LED strip's neutral input wire (white)
  - tighten 1/2" INPUT flexible conduit connector to secure conduit. (fig 3-4)
7. Carefully tuck all the connected wires inside the waterproof junction box. Secure lid to junction box with 4 mounting screws making sure not to pinch any wires.
8. Carefully tuck the liquid-tight nonmetallic flexible conduit into the space in front of and to the side of the junction box. (fig 5)
9. Follow the general Chrysler installation instructions to finish the installation.

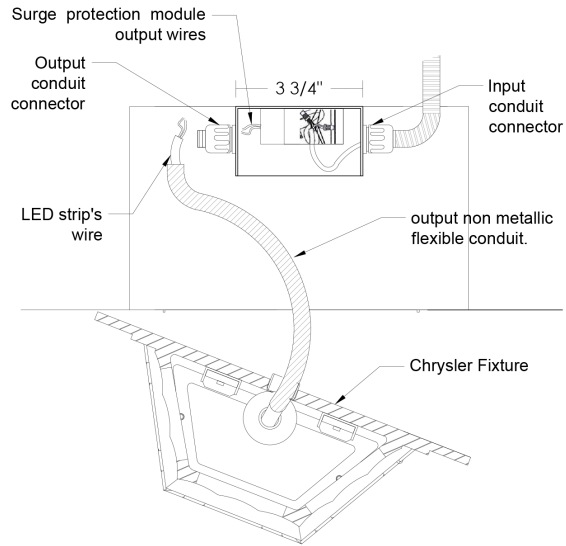


Fig. 3. Plan Section

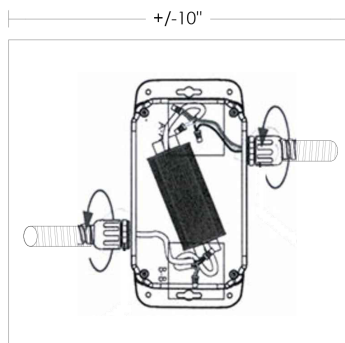


Fig. 4 Front Section

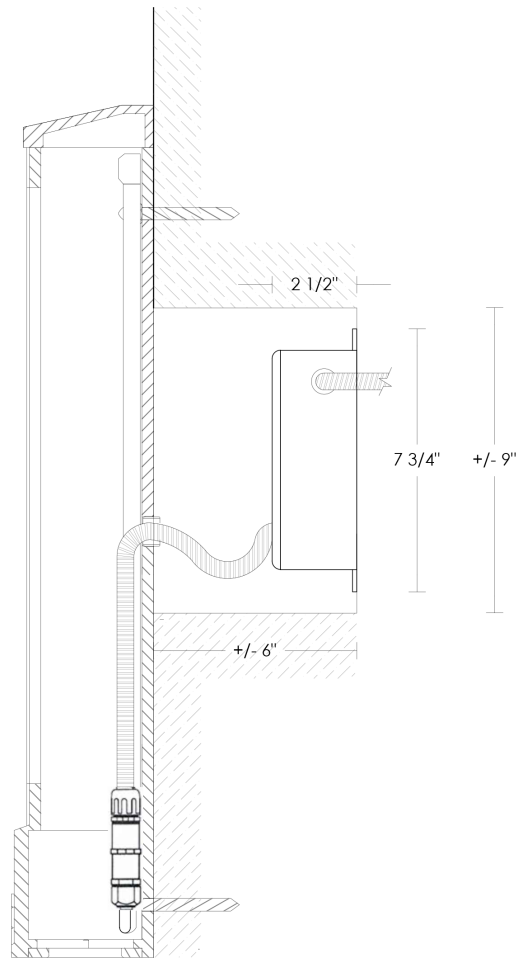


Fig. 5 Side Section