



**One Madison LED Mirror**

UA2582 BA

- \$7,255 Polished Bronze
- \$7,585 Green Patina\*, Brown Patina\*
- \$8,205 Antique Bronze\*  
Statuary Brown [gloss or matte]\*  
Statuary Black [gloss or matte]\*
- \$10,335 Polished Nickel, Satin Nickel\*, Light Pewter\*  
Polished Chrome

**\*** Custom finishes not returnable

Notes: Our metals are living finishes; they will change overtime and will never rust

It is difficult to get chrome plating to flow into inside corners of 90° angles. A touch of brass may be visible on the inside corner.

LED light strips  
80w, 24VDC  
3412 lumens  
2700K warm white  
CRI 82  
50,000 hours expected life  
RoHS rating

Power supply-  
100w- 24VDC non-dimming  
Water-proof

Also available with a dimmable driver for \$120 upcharge

15' cord from mirror-  
for hardwiring to remote power supply

Ceiling mounting bracket-  
affix to blocking above ceiling

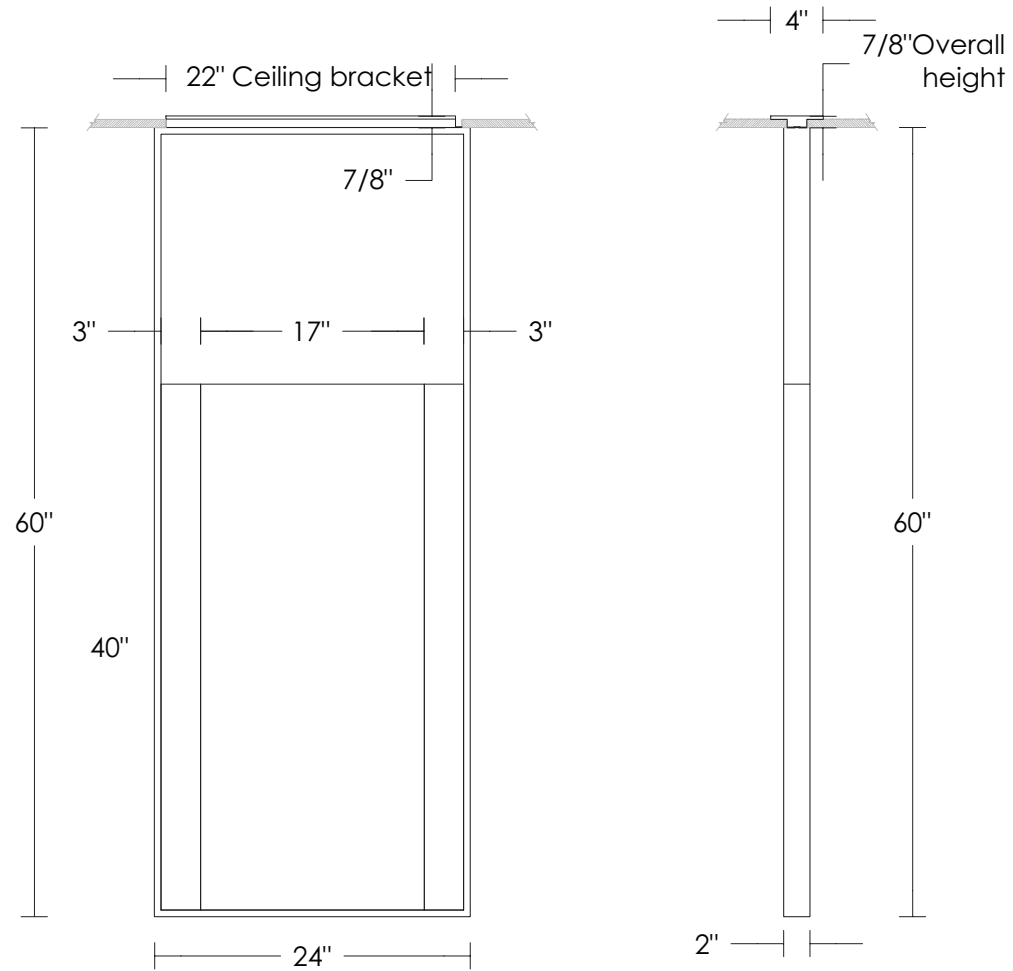
**cULus** UL Listed- UL962

Prior to installation, please hook up to power to make sure the LEDs and driver are working.

Size can be customized, please call for pricing.

Weight: 75 lbs.

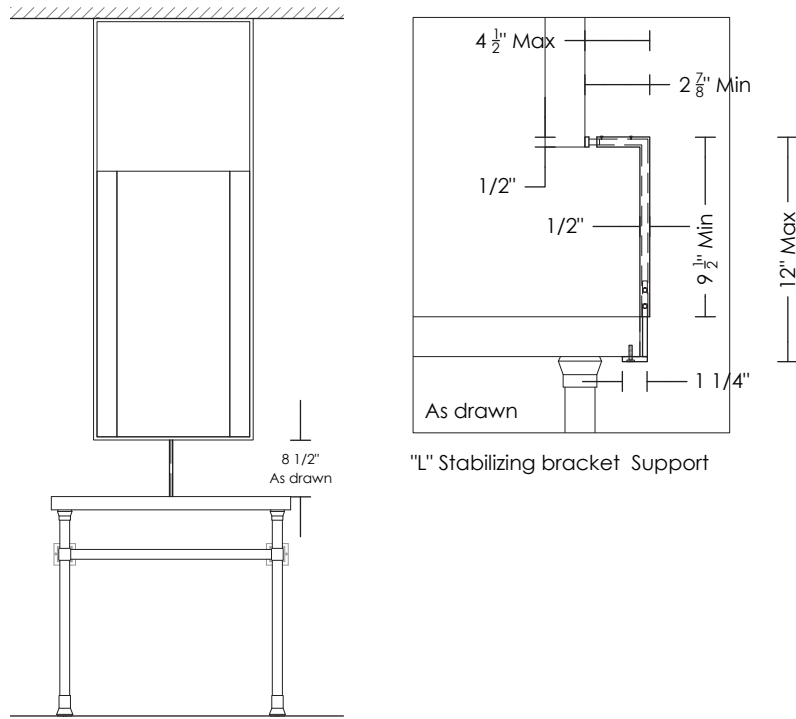
- \$575 Replacement Mirror  
UA6150 BG



**Stabilizing Bracket Support**

"L" Stabilizing Bracket Support  
UA2582-L BA

- \$890 Polished Bronze, Polished Brass
- \$920 Green Patina, Brown Patina
- \$995 Antique Brass, Antique Bronze
- \$1,105 Polished Nickel, Satin Nickel, Polished Chrome

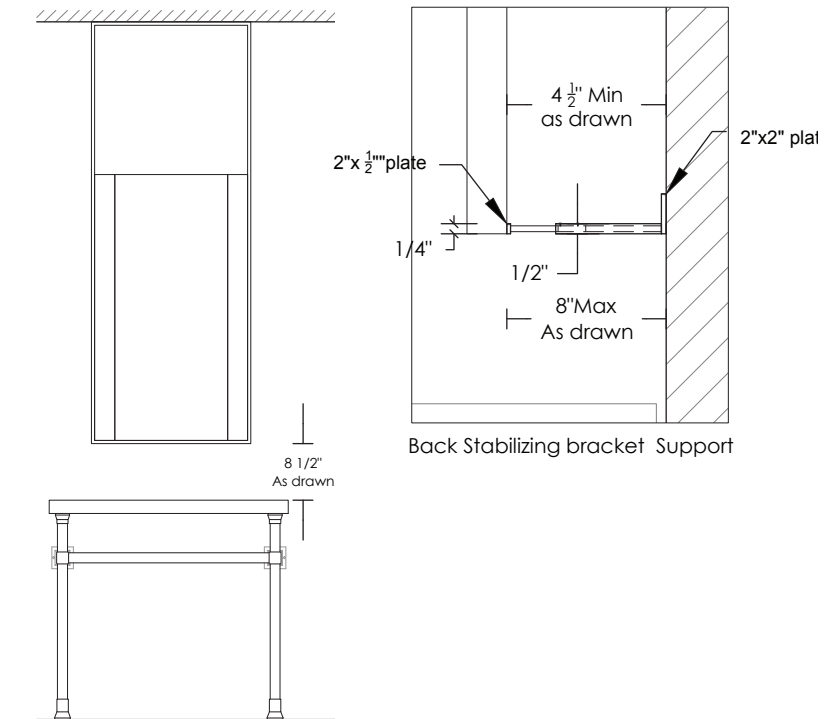


"L" Stabilizing bracket Support

Front Elevation

Back Stabilizing Bracket Support  
UA2582-BS BA

- \$750 Polished Bronze, Polished Brass
- \$790 Green Patina, Brown Patina
- \$840 Antique Brass, Antique Bronze
- \$950 Polished Nickel, Satin Nickel, Polished Chrome



Back Stabilizing bracket Support

Front Elevation

Stabilizing brackets are recommended in commercial spaces. While the ceiling mounting bracket is very strong if the blocking above the bracket is installed securely, there may be a little movement at the bottom while cleaning the mirror. It is not necessary to use stabilizing bracket in a residential setting, but then it's best to hold the bottom while wiping the mirror.

There are two types of stabilizing brackets; one mounts to the wall or window mullion behind the mirror and the other one mounts to the back of the washstand. They can be customized to meet your size requirements. Or if you want another design for the bracket, send us a drawing and we will price it for you.



**One Madison LED Mirror** is an energy-efficient, ceiling-mounted mirror with a slender tubular structure. The low-voltage, high-brightness, LED strips behind etched glass on each side of the mirror, use only 80 watts, provide approximately 1,334 lumens and have a lifetime of 50,000 hours.

This mirror was made for **One Madison**, a luxury condominium tower located in New York City's Flatiron District. The mirrors, which hang above the bathroom vanities in front of the full-height windows, enhance the incredible views of the surrounding city skyline.

Developer: Related Companies  
Architect: Cetra/Ruddy  
Interiors and mirror: Yabu Pushelberg

Design detailing, fabrication,  
and UL listing: Urban Archaeology