

Lenox Cabinet Small with Mesh

UA2600 BA

- \$3,145 Polished Brass
- \$3,420 Green Patina*, Brown Patina*
- \$3,680 Antique Brass*
 - Statuary Brown [gloss or matte]*
 - Statuary Black [gloss or matte]*
- \$4,770 Polished Nickel, Satin Nickel*, Light Pewter*
 - Polished Chrome, Black Nickel [gloss or matte]*

***** Custom finishes not returnable

Notes: Our metals are living finishes; they will change overtime and will never rust

It is difficult to get chrome plating to flow into inside corners of 90° angles. A touch of brass may be visible on the inside corner.

The inside of a chrome Lenox Medicine Cabinet door is always nickel.

Set includes frame and door only.

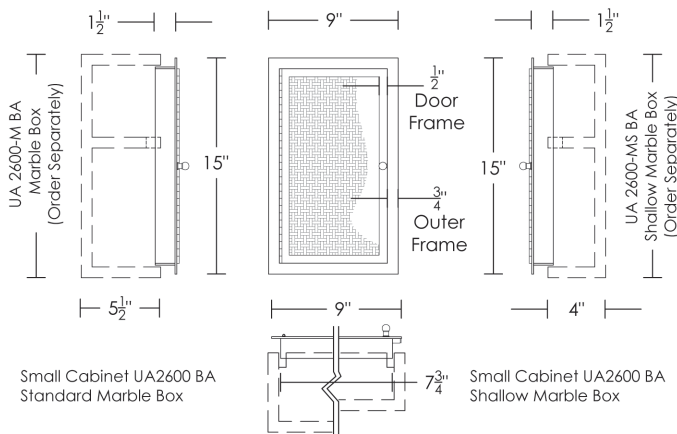
Marble box sold separately.

Marble box comes with a fixed marble shelf. See page 2 for stone options.



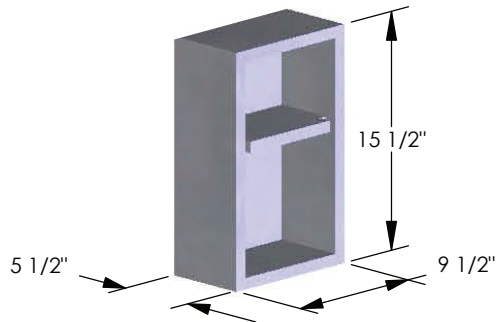
Installation instructions available online for download

Based on an original medicine cabinet salvaged from Helena Rubenstein's New York apartment, The Lenox Cabinet is one of Urban Archaeology's most versatile products. The door panel, while usually mirror, can be almost any material, mesh, metal or speciality glass and can be customized with relative ease to accommodate different heights, widths, depths with multiple doors and illuminated sidelights.



Small Standard Depth Marble Box
UA2570-M BA

Interior Dimensions:
8"w × 14"h × 4 3/4"d



Lenox Marble Box Small

Standard UA2570-M BA
Shallow UA2570-MS BA

Standard & Shallow

Call for Linea Stone, Lagos Azul
pricing

Carrara, Statuary Michelangelo,
Rosa Verona, Blue Celeste

Black Mosaic Granite, Blue Persa Granite,
Verde Fuoco Granite

White Onyx, Statuary White, Calacatta Gold,
Thassos, Absolute Black Granite

Notes: Small Marble boxes are made
with one fixed marble shelf

Marble boxes are fitted to
Lenox Cabinet Small frames

Small Shallow Depth Marble Box
UA2570-MS BA

Interior Dimensions:
8"w × 14"h × 3 1/4"d

