

Lenox Cabinet Medium with Mesh

UA2601 BA

- \$3,770 Polished Brass
- \$4,040 Green Patina*, Brown Patina*
- \$4,220 Antique Brass*
Statuary Brown [gloss or matte]*
Statuary Black [gloss or matte]*
- \$5,240 Polished Nickel, Satin Nickel*, Light Pewter*
Polished Chrome, Black Nickel [gloss or matte]*

* Custom finishes not returnable

Notes: Our metals are living finishes; they will change over time and will never rust

It is difficult to get chrome plating to flow into inside corners of 90° angles. A touch of brass may be visible on the inside corner.

The inside of a chrome Lenox Medicine Cabinet door is always nickel.

Set includes frame and door only

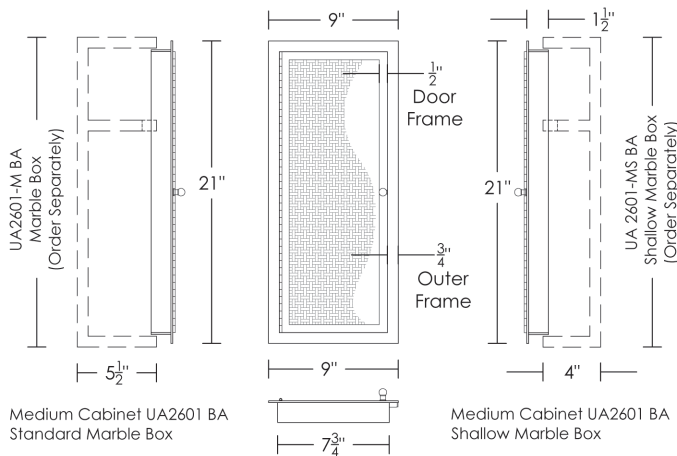
Marble box sold separately

Marble box comes with a fixed marble shelf

See page 2 for stone options



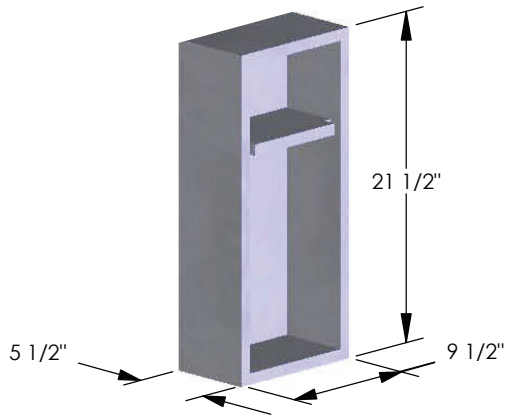
Installation instructions available online for download



Based on an original medicine cabinet salvaged from Helena Rubenstein's New York apartment, The Lenox Cabinet is one of Urban Archaeology's most versatile products. The door panel, while usually mirror, can be almost any material, mesh, metal or speciality glass and can be customized with relative ease to accommodate different heights, widths, depths with multiple doors and illuminated sidelights.

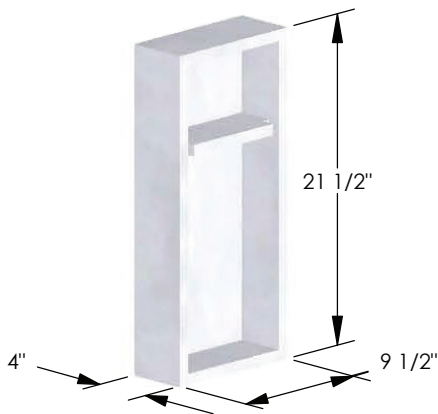
Medium Standard Depth Marble Box
UA2571-M BA

Interior Dimensions:
8"w x 20"h x 4 3/4"d



Medium Shallow Depth Marble Box
UA2571-MS BA

Interior Dimensions:
8"w x 20"h x 3 1/4"d



Lenox Marble Box Medium

Standard UA2571-M BA
Shallow UA2571-MS BA

Standard & Shallow

Call for Linea Stone, Lagos Azul
pricing

Carrara, Statuary Michelangelo,
Rosa Verona, Blue Celeste

Black Mosaic Granite, Blue Persa Granite,
Verde Fuoco Granite

White Onyx, Statuary White, Calacatta Gold,
Thassos, Absolute Black Granite

Notes: Marble boxes are fitted to
Lenox Cabinet Medium frames

Lenox Cabinet Medium door and frame
fits both medium boxes