
Yale Club Double Metal Towel Bar 1"Ø

UA2008-M BA Series

- Price 1 Polished Brass
- Price 2 Green Patina*, Brown Patina*, Antique Brass*
- Price 3 Statuary Brown [gloss or matte]*
Statuary Black [gloss or matte]*
- Price 4 Polished Nickel, Satin Nickel*, Light Pewter*
Polished Chrome
Black Nickel [gloss or matte]*

***** Custom finishes not returnable

Notes: Our metals are living finishes; they will change overtime and will never rust

Towel bar widths are center-to-center of mounting brackets.

48"w towel bars require a center bracket.

Metal towel bars are not returnable.

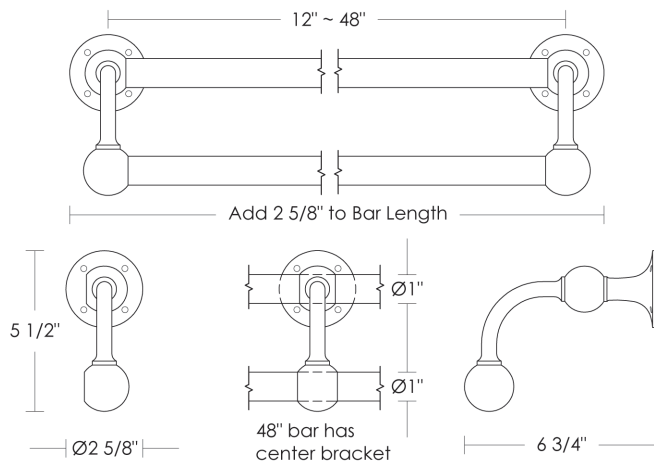
1"Ø Replacement Metal Towel Bars

Length	Price 1	Price 2	Price 3	Price 4
12"w	\$150ea	\$200ea	\$225ea	\$285ea
18"w	\$190ea	\$215ea	\$265ea	\$340ea
24"w	\$230ea	\$245ea	\$305ea	\$395ea
36"w	\$305ea	\$330ea	\$385ea	\$440ea
48"w	\$355ea	\$395ea	\$410ea	\$470ea

1" Replacement Double Bracket

Center UA2008-C RP
End UA2008-E RP

\$360ea	Price 1
\$425ea	Price 2
\$515ea	Price 3
\$680ea	Price 4



Yale Club Metal Towel Bar	Overall Length	Price 1	Price 2	Price 3	Price 4
1" x 12"w UA2008-M12 BA	14 5/8"w	\$780	\$950	\$1,080	\$1,295
1" x 18"w UA2008-M18 BA	20 5/8"w	\$840	\$1,060	\$1,120	\$1,360
1" x 24"w UA2008-M24 BA	26 5/8"w	\$950	\$1,160	\$1,230	\$1,455
1" x 36"w UA2008-M36 BA	38 5/8"w	\$1,090	\$1,280	\$1,400	\$1,570
1" x 48"w UA2008-M48 BA	50 5/8"w	\$1,440	\$1,640	\$1,750	\$1,970